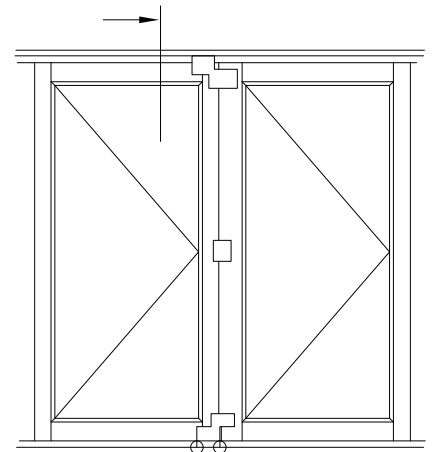


SUPPORTING TRACK



**Rawington Ltd**  
WOOD-ALUMINIUM WINDOWS

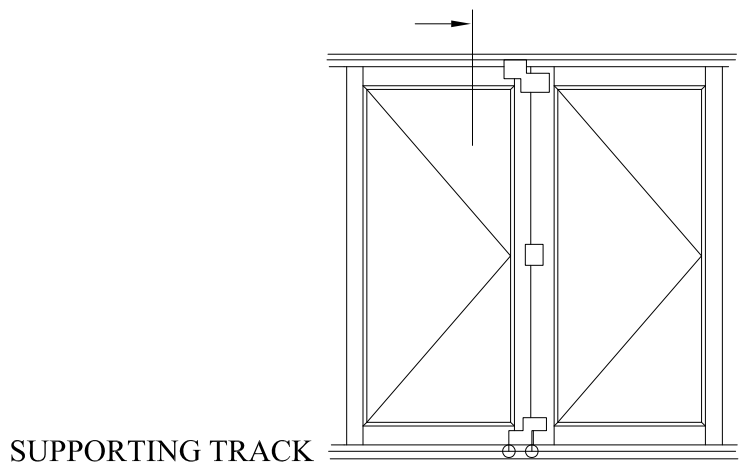
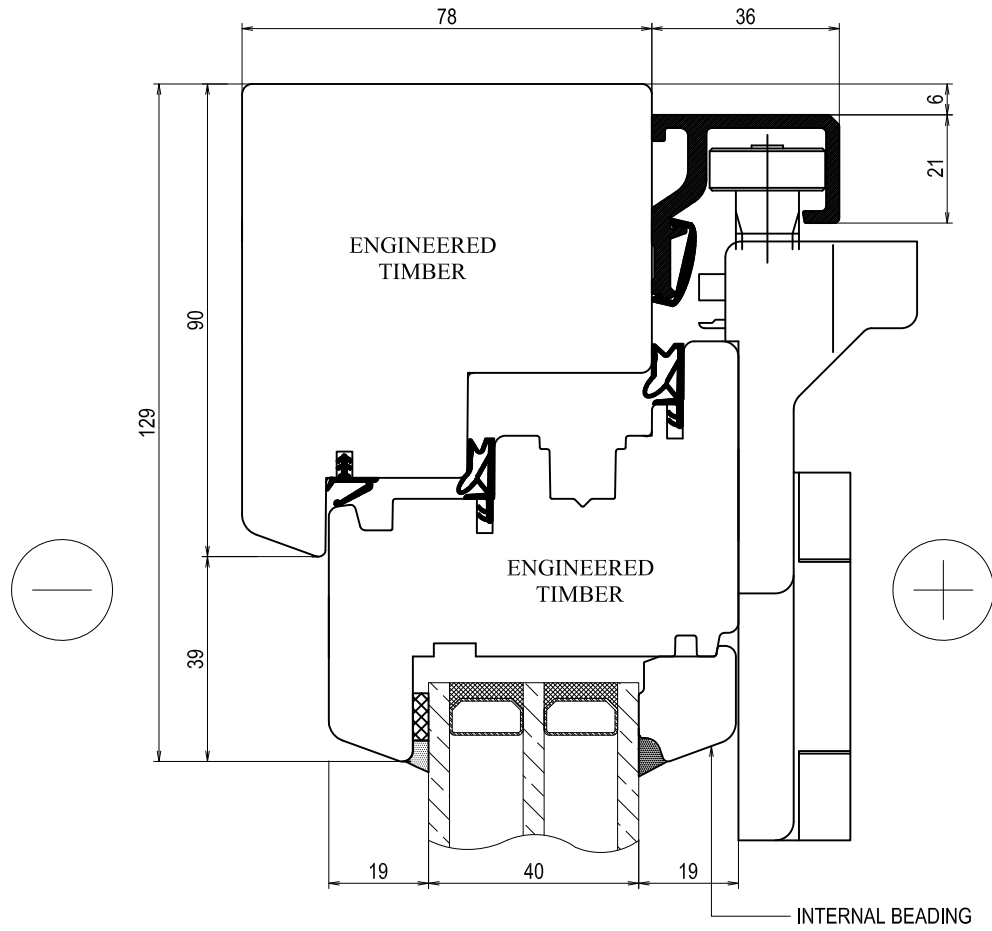
Yate Business Campus  
10 North Road  
Yate  
Bristol  
BS37 7PA  
Tel 014 5452 8353  
Fax 014 5452 8353  
Email info@rawington.com

SYSTEM

78 EURO  
BI-FOLD DOORS

DRAWING TITLE  
OPEN IN BI-FOLD DOOR  
HEAD DETAIL  
WITH TOP SUPPORTING TRACK

DRAWN R.P.	CHECKED A.P.	DATE	SCALE 1-1
JOB NUMBER N/A	DRAWING NUMBER 001	REVISION	



SUPPORTING TRACK

**Rawington Ltd**  
WOOD-ALUMINIUM WINDOWS

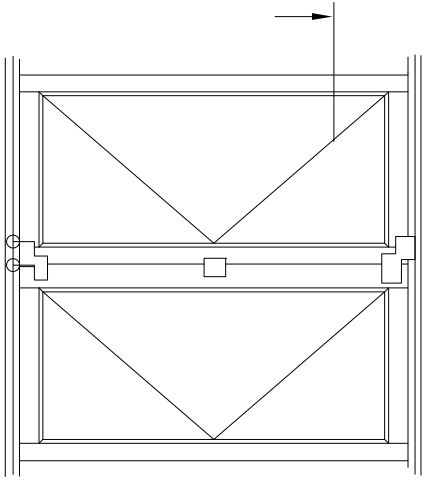
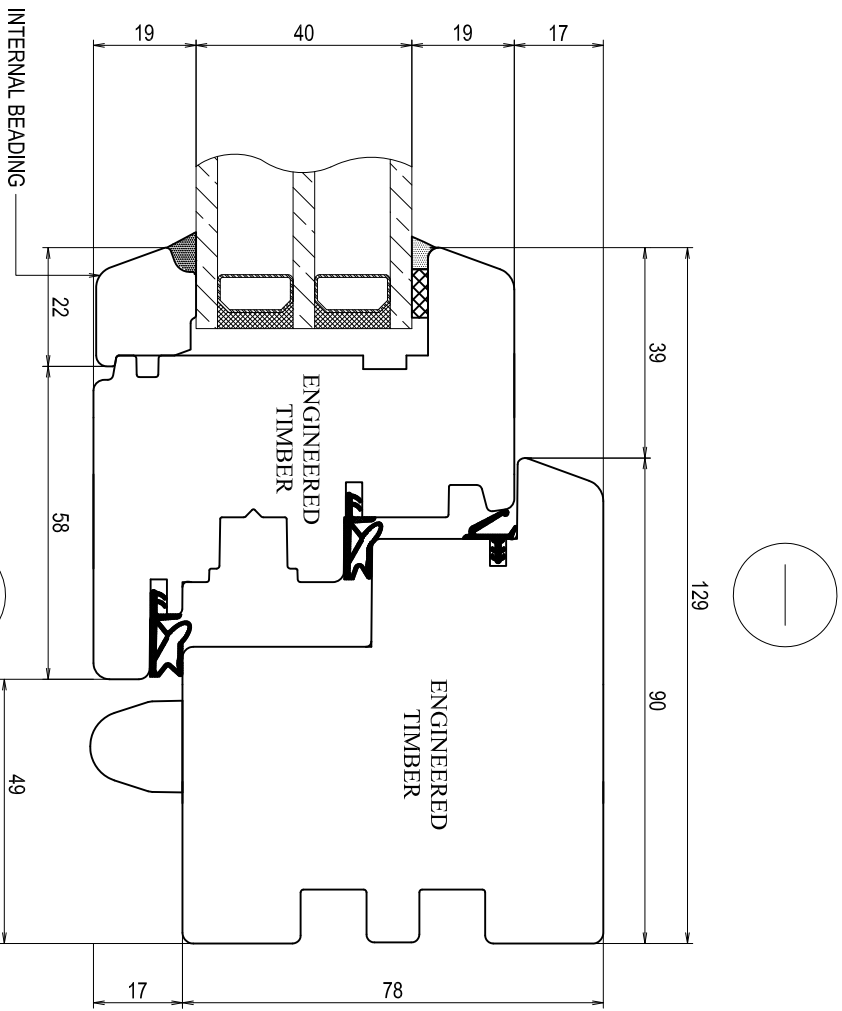
Yate Business Campus  
10 North Road  
Yate  
Bristol  
BS37 7PA  
Tel 014 5452 8353  
Fax 014 5452 8353  
Email info@rawington.com

SYSTEM

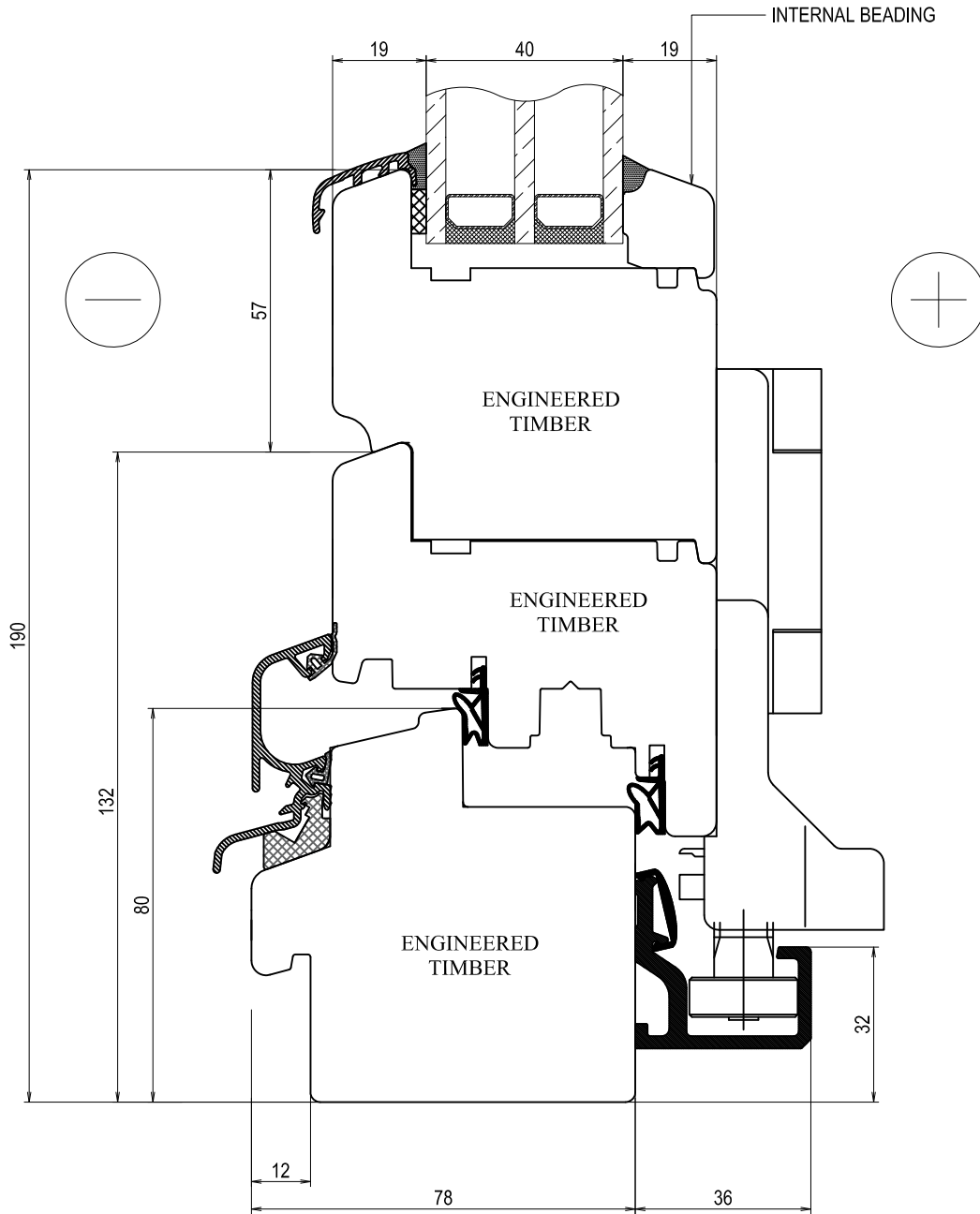
**78 EURO  
BI-FOLD DOORS**

DRAWING TITLE  
**OPEN IN BI-FOLD DOOR  
HEAD DETAIL  
WITH BOTTOM SUPPORTING TRACK**

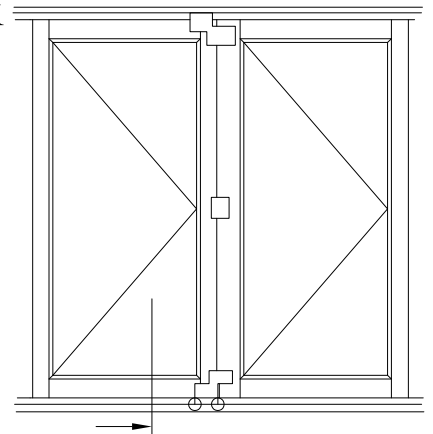
DRAWN	CHECKED	DATE	SCALE
R.P.	A.P.		1-1
JOB NUMBER	DRAWING NUMBER	REVISION	
N/A	002		



<p><b>Rawington Ltd</b> WOOD-ALUMINIUM WINDOWS</p>		<p>Yale Business Campus 10 North Road Yale Bristol BS37 7PA Tel 014 5452 8353 Fax 014 5452 8353 Email info@rawington.com</p>	
<p>SYSTEM</p> <p><b>CORA ECONOMIC-78</b></p>		<p>DRAWING TITLE</p> <p><b>OPEN IN-BI-FOLD DOOR JAMB DETAIL</b></p>	
DRAWN	CHECKED	DATE	SCALE
R.P.	A.P.		1-1
JOB NUMBER	DRAWING NUMBER	REVISION	
N/A	003		



SUPPORTING TRACK



**Rawington Ltd**  
WOOD-ALUMINIUM WINDOWS

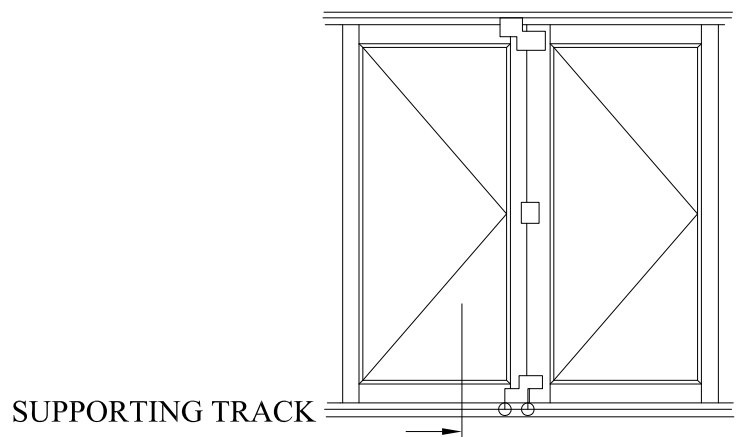
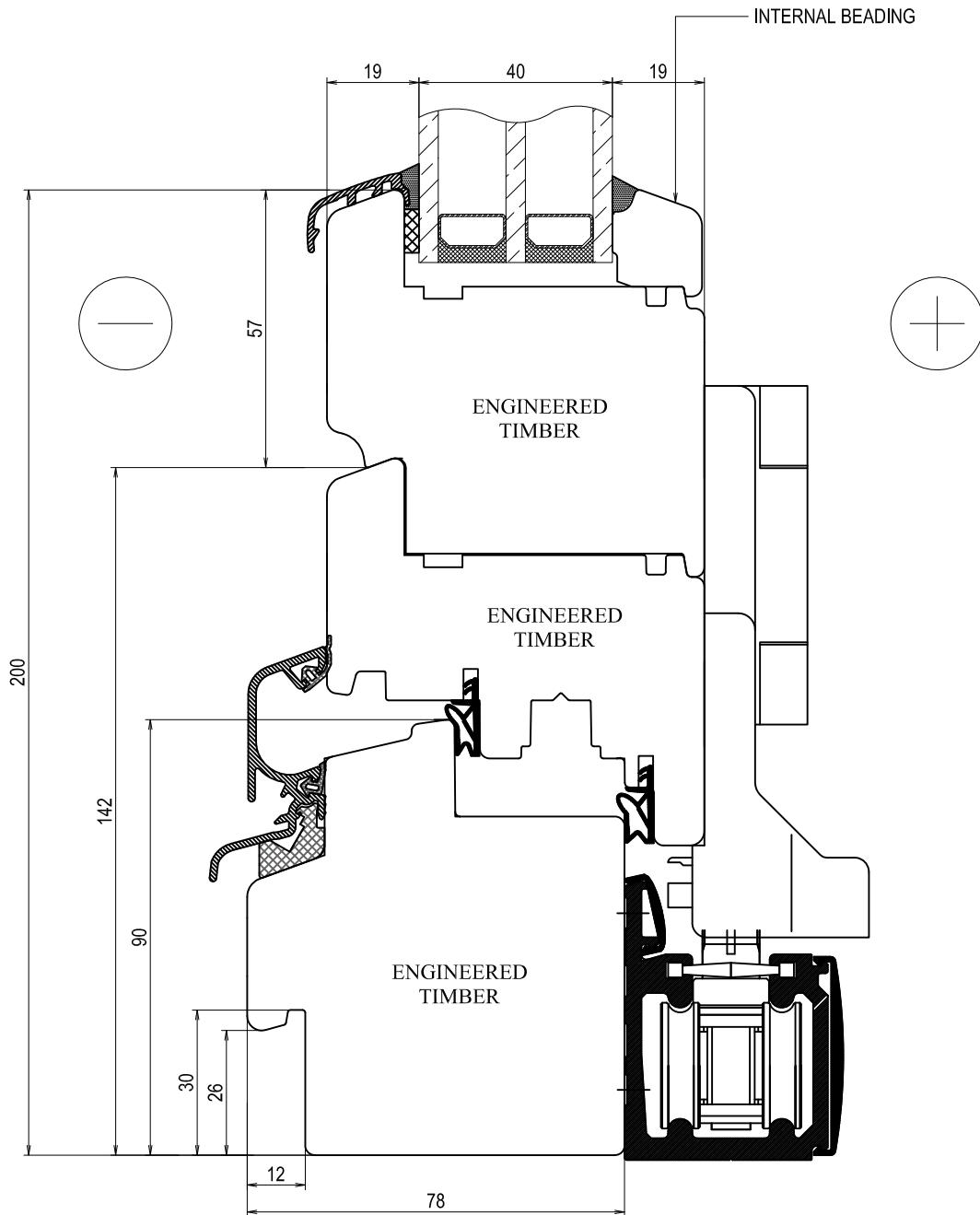
Yate Business Campus  
10 North Road  
Yate  
Bristol  
BS37 7PA  
Tel 014 5452 8353  
Fax 014 5452 8353  
Email info@rawington.com

SYSTEM

78 EURO  
BI-FOLD DOORS

DRAWING TITLE  
OPEN IN BI-FOLD DOOR  
CILL DETAIL  
WITH TOP SUPPORTING TRACK

DRAWN	CHECKED	DATE	SCALE
R.P.	A.P.		1-1
JOB NUMBER	DRAWING NUMBER	REVISION	
N/A	004		



**Rawington Ltd**  
WOOD-ALUMINIUM WINDOWS

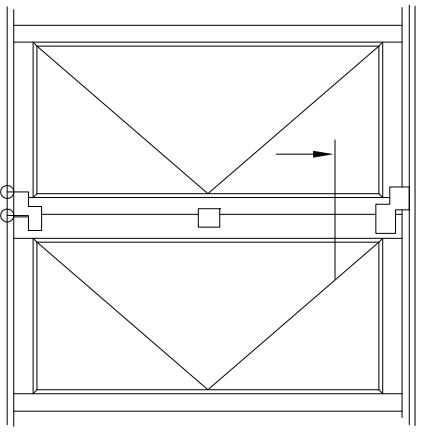
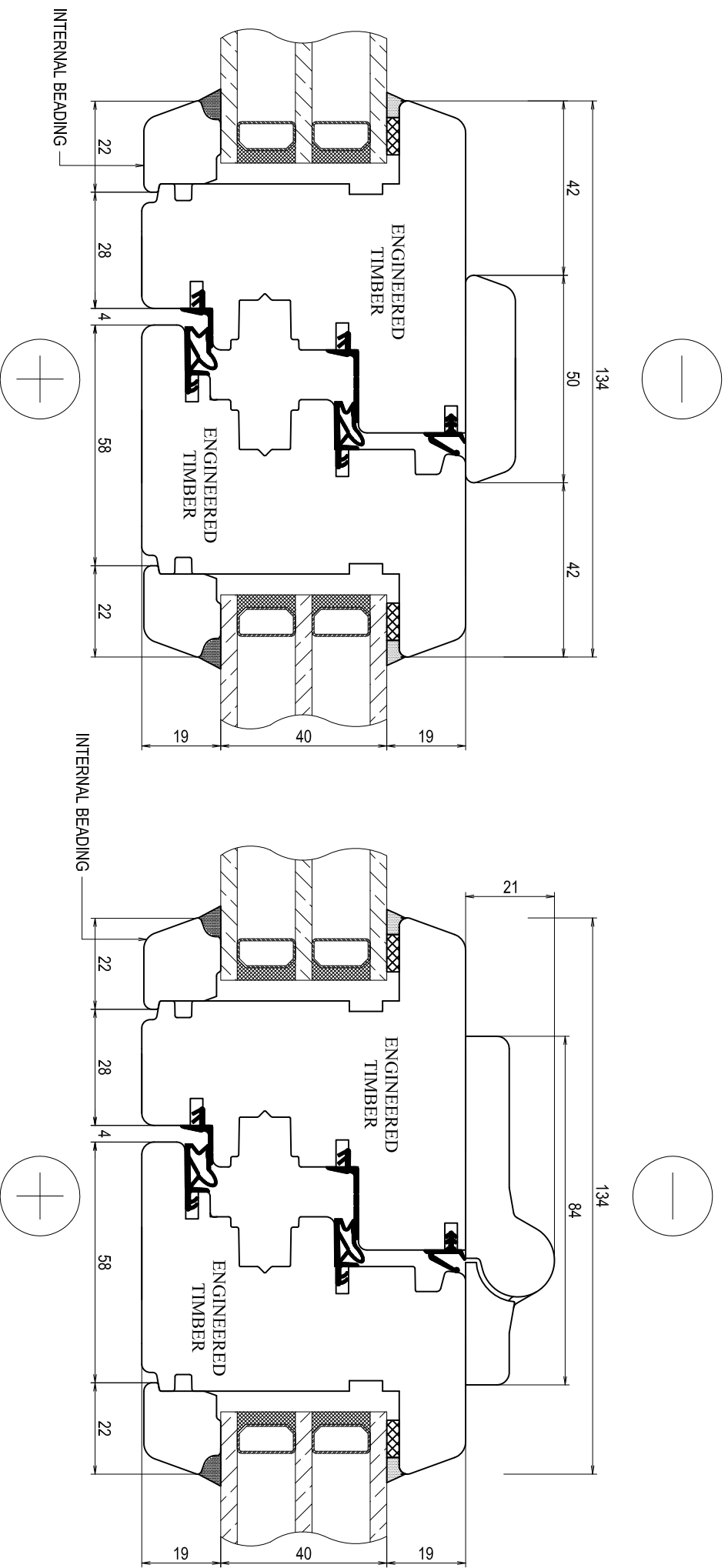
Yate Business Campus  
10 North Road  
Yate  
Bristol  
BS37 7PA  
Tel 014 5452 8353  
Fax 014 5452 8353  
Email info@rawington.com

SYSTEM

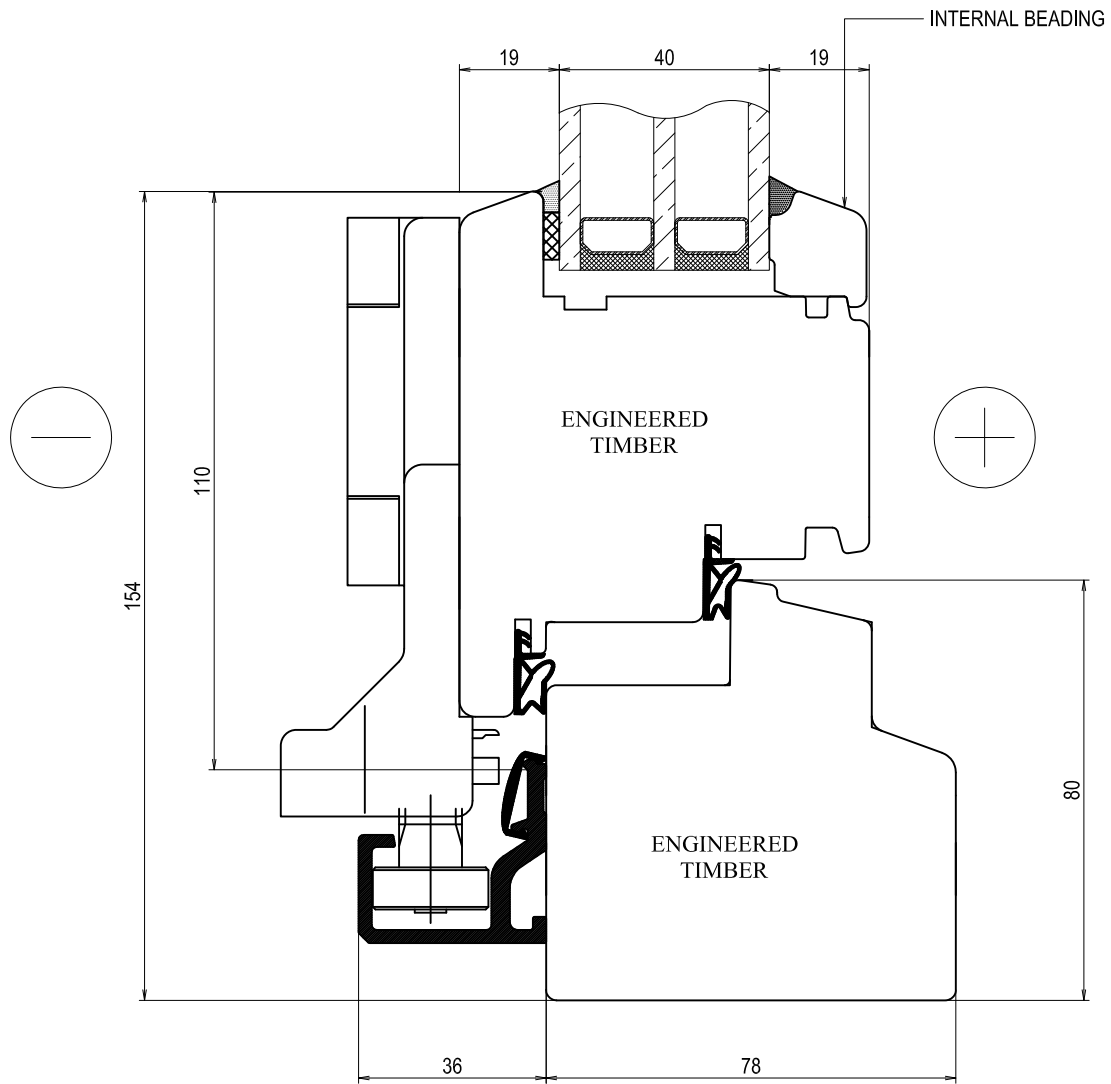
78 EURO  
BI-FOLD DOORS

DRAWING TITLE  
OPEN IN BI-FOLD DOOR  
HEAD DETAIL  
WITH BOTTOM SUPPORTING TRACK

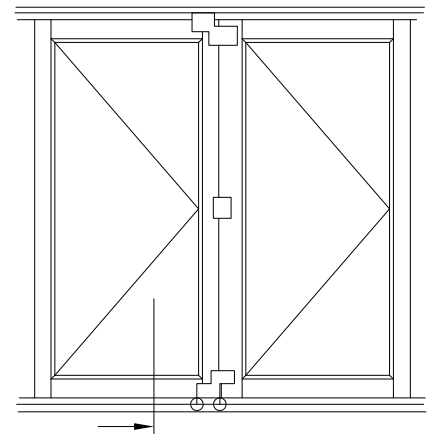
DRAWN	CHECKED	DATE	SCALE
R.P.	A.P.		1-1
JOB NUMBER	DRAWING NUMBER	REVISION	
N/A	005		



<p><b>Rawington Ltd</b> WOOD-ALUMINIUM WINDOWS</p> <p>Yale Business Campus 10 North Road Yale Bristol BS37 7PA Tel 014 5452 8353 Fax 014 5452 8353 Email info@rawington.com</p>		<p>SYSTEM</p> <p><b>CORA ECONOMIC-78</b></p>	<p>DRAWING TITLE</p> <p>OPEN IN-BI-FOLD DOOR SASH CENTRAL DETAIL WITH BOTTOM SUPPORTING TRACK</p>
<p>DRAWN</p> <p>R.P.</p>	<p>CHECKED</p> <p>A.P.</p>	<p>DATE</p>	<p>SCALE</p> <p>1-1</p>
<p>JOB NUMBER</p> <p>N/A</p>	<p>DRAWING NUMBER</p> <p>006</p>	<p>REVISION</p>	



SUPPORTING TRACK



**Rawington Ltd**  
WOOD-ALUMINIUM WINDOWS

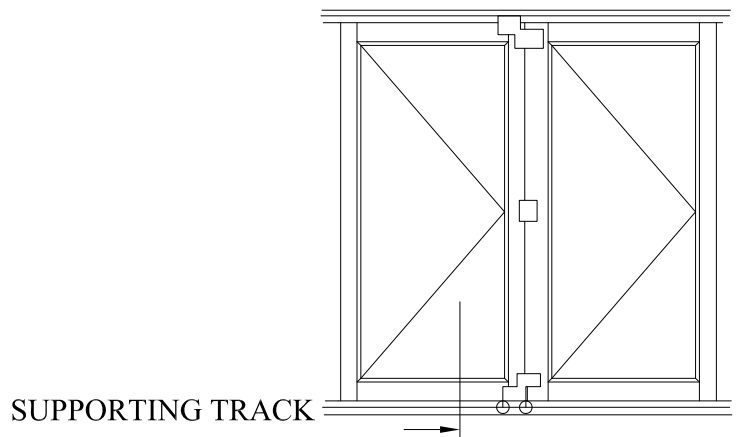
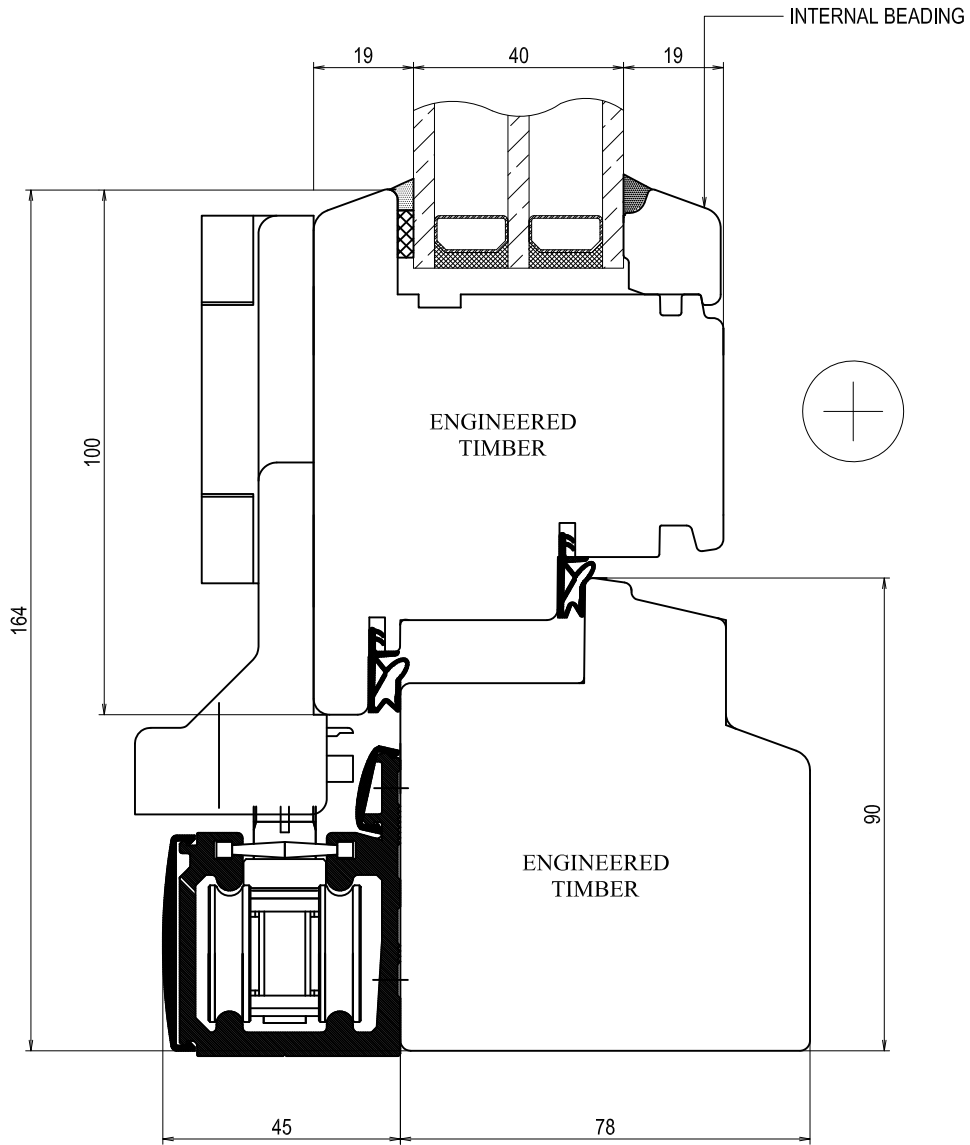
Yate Business Campus  
10 North Road  
Yate  
Bristol  
BS37 7PA  
Tel 014 5452 8353  
Fax 014 5452 8353  
Email info@rawington.com

SYSTEM

78 EURO  
BI-FOLD DOORS

DRAWING TITLE  
OPEN OUT BI-FOLD DOOR  
CILL DETAIL  
WITH TOP SUPPORTING TRACK

DRAWN R.P.	CHECKED A.P.	DATE	SCALE 1-1
JOB NUMBER N/A	DRAWING NUMBER 007	REVISION	



**Rawington Ltd**  
WOOD-ALUMINIUM WINDOWS

Yate Business Campus  
10 North Road  
Yate  
Bristol  
BS37 7PA  
Tel 014 5452 8353  
Fax 014 5452 8353  
Email info@rawington.com

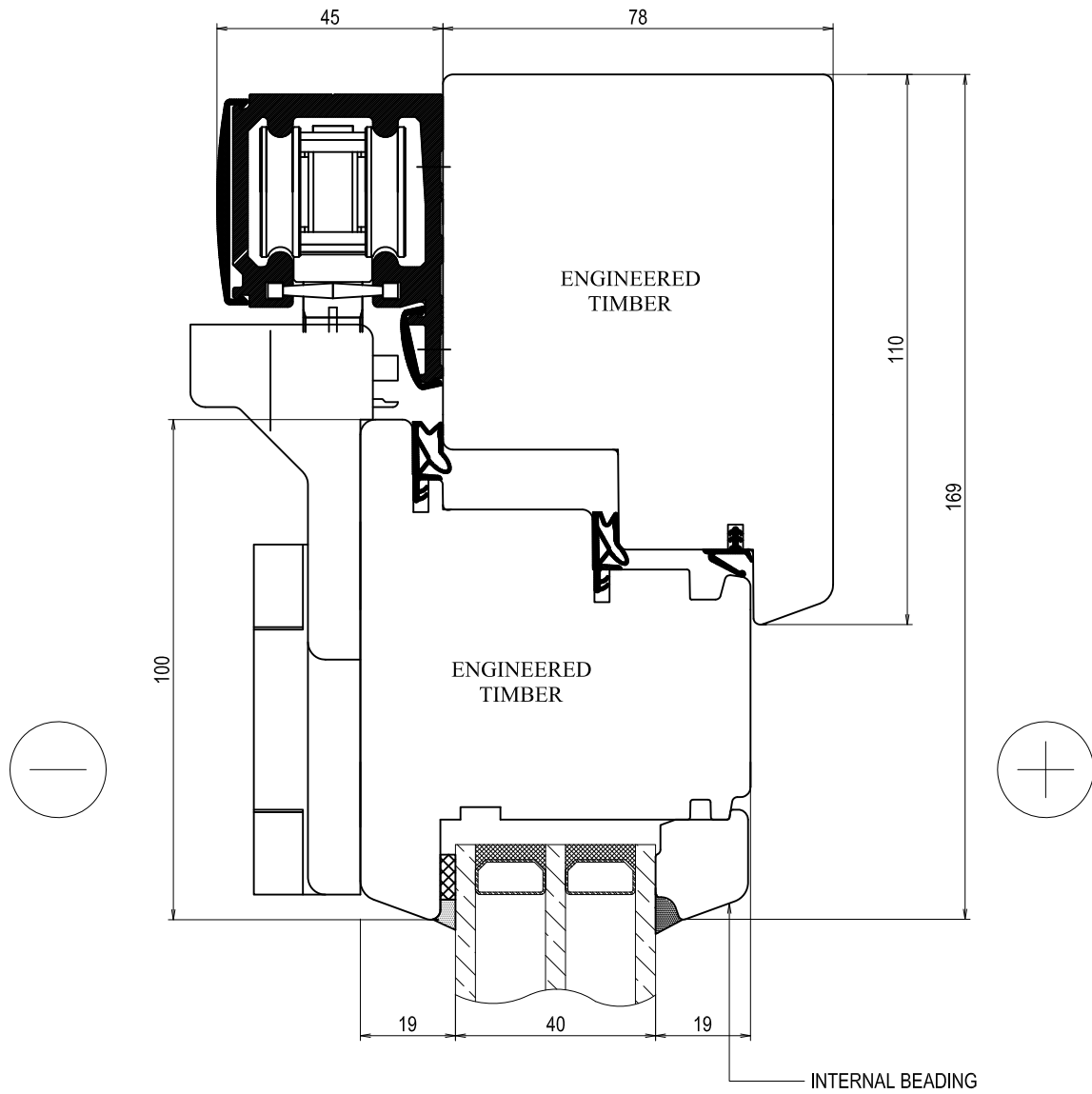
SYSTEM

78 EURO  
BI-FOLD DOORS

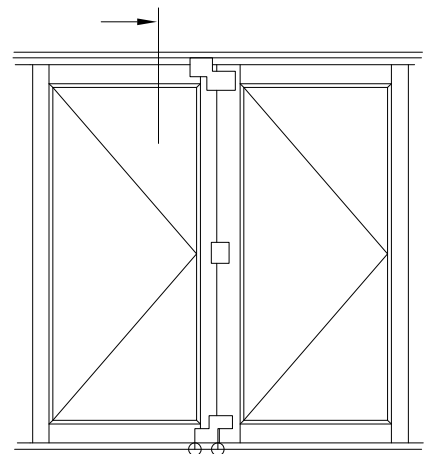
DRAWING TITLE  
OPEN OUT BI-FOLD DOOR  
HEAD DETAIL  
WITH BOTTOM SUPPORTING TRACK

DRAWN R.P.	CHECKED A.P.	DATE	SCALE 1-1
JOB NUMBER N/A	DRAWING NUMBER 008	REVISION	





SUPPORTING TRACK



**Rawington Ltd**  
WOOD-ALUMINIUM WINDOWS

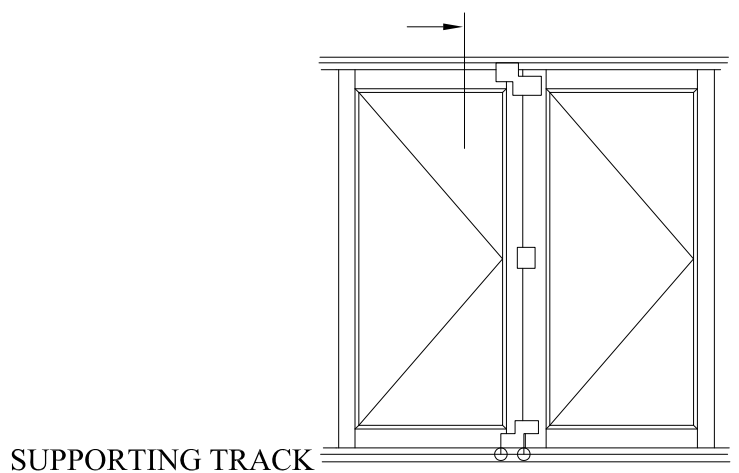
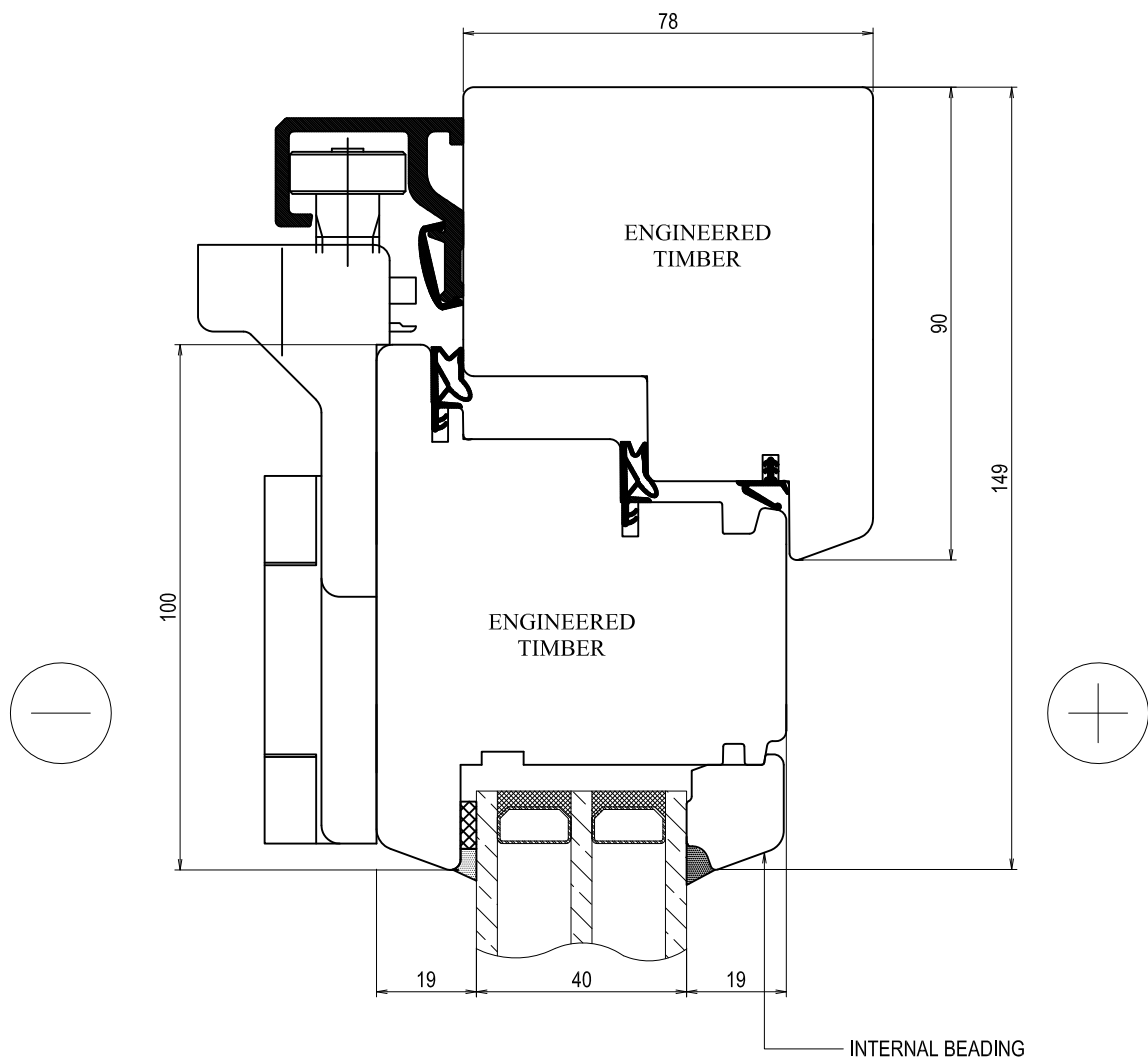
Yate Business Campus  
10 North Road  
Yate  
Bristol  
BS37 7PA  
Tel 014 5452 8353  
Fax 014 5452 8353  
Email info@rawington.com

SYSTEM

**78 EURO  
BI-FOLD DOORS**

DRAWING TITLE  
**OPEN OUT BI-FOLD DOOR  
HEAD DETAIL  
WITH TOP SUPPORTING TRACK**

DRAWN	CHECKED	DATE	SCALE
R.P.	A.P.		1-1
JOB NUMBER	DRAWING NUMBER	REVISION	
N/A	009		



**Rawington Ltd**  
WOOD-ALUMINIUM WINDOWS

Yate Business Campus  
10 North Road  
Yate  
Bristol  
BS37 7PA  
Tel 014 5452 8353  
Fax 014 5452 8353  
Email info@rawington.com

SYSTEM

**78 EURO  
BI-FOLD DOORS**

DRAWING TITLE

**OPEN OUT BI-FOLD DOOR  
HEAD DETAIL  
WITH BOTTOM SUPPORTING TRACK**

DRAWN R.P.	CHECKED A.P.	DATE	SCALE 1-1
JOB NUMBER N/A	DRAWING NUMBER 010	REVISION	