

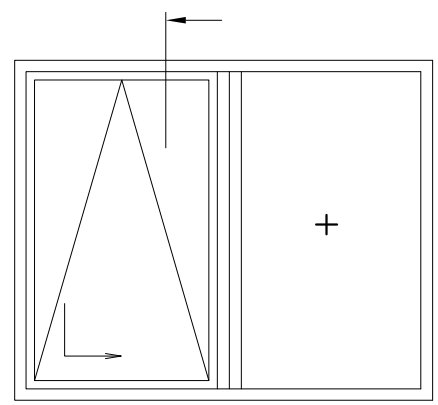
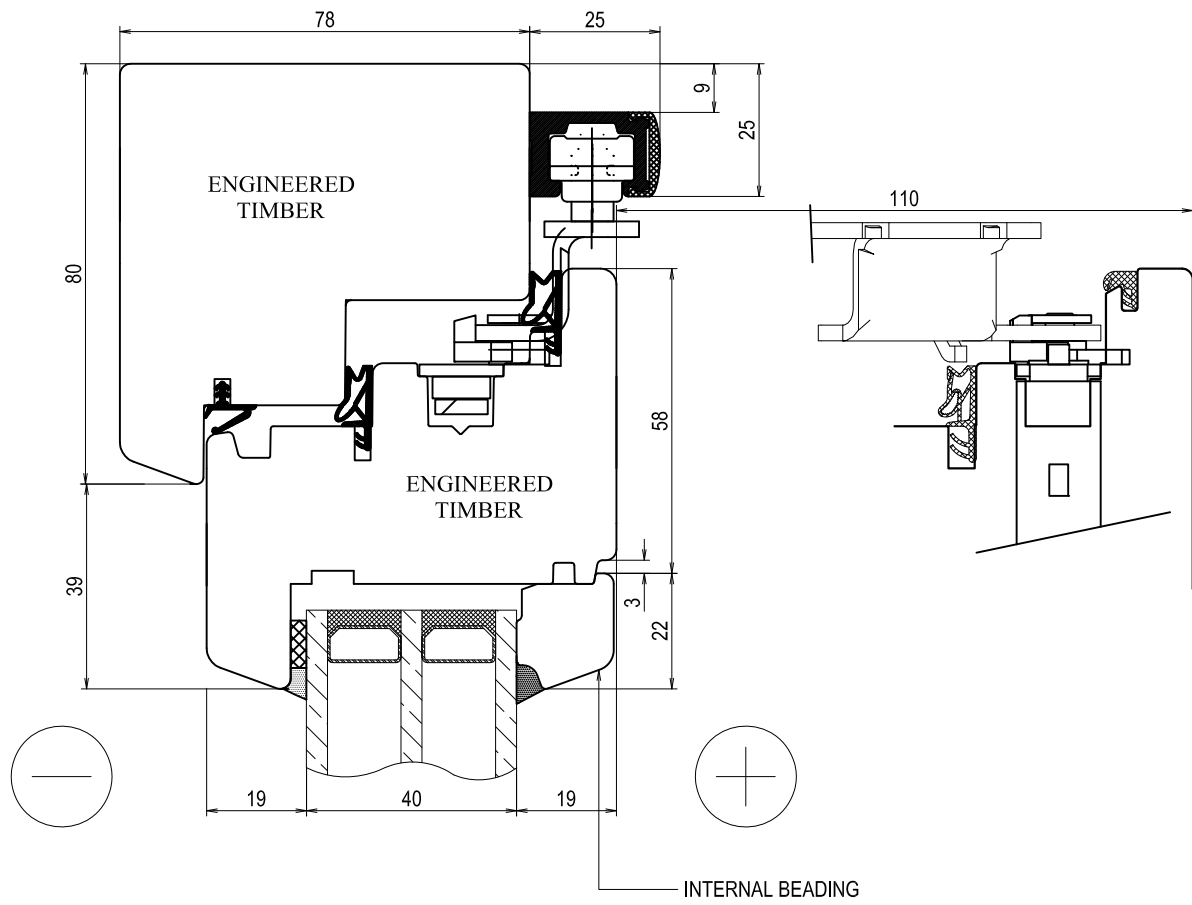
**Rawington Ltd**  
WOOD-ALUMINIUM WINDOWS

Yate Business Campus  
10 North Road  
Yate  
Bristol  
BS37 7PA  
Tel 014 5452 8353  
Fax 014 5452 8353  
Email info@rawington.com

SYSTEM  
**78 EURO TIMBER**  
**TILT & SLIDE DOORS**

DRAWING TITLE  
**TILT & SLIDE DOOR**  
**CILL DETAIL**

DRAWN R.P.	CHECKED A.P.	DATE	SCALE 1-1
JOB NUMBER N/A	DRAWING NUMBER 001	REVISION	

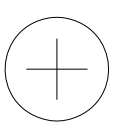
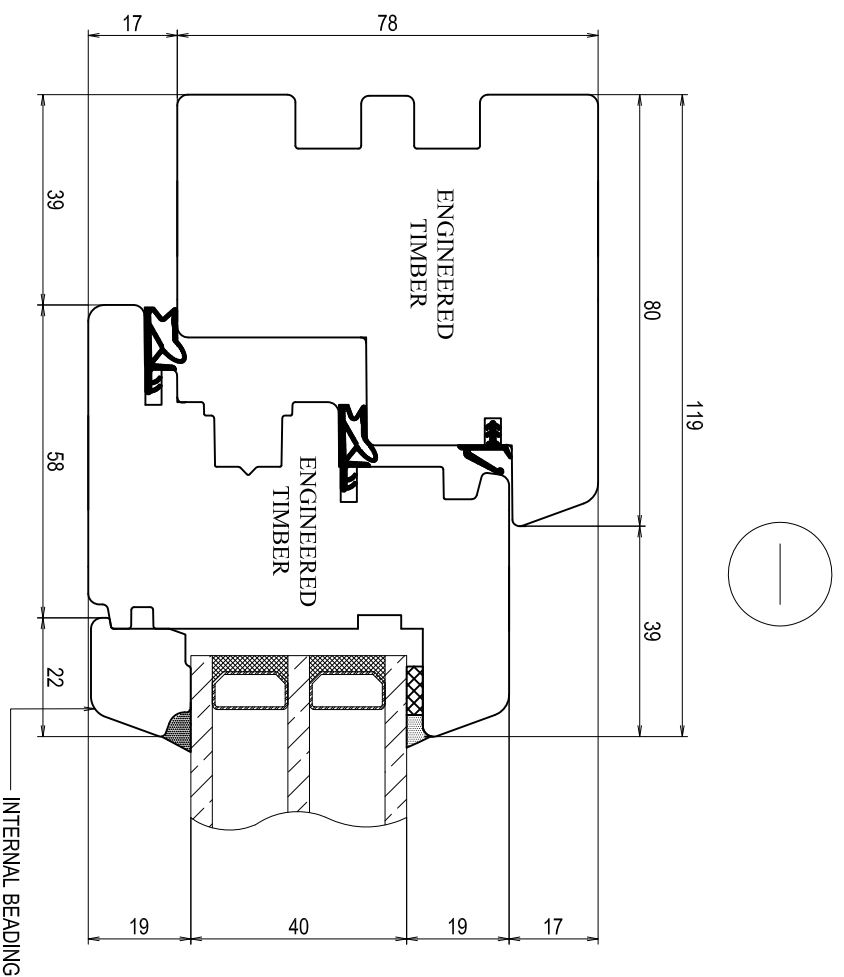
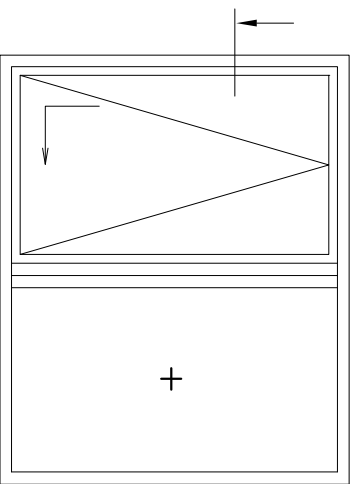


**Rawington Ltd**  
WOOD-ALUMINIUM WINDOWS

Yate Business Campus  
10 North Road  
Yate  
Bristol  
BS37 7PA  
Tel 014 5452 8353  
Fax 014 5452 8353  
Email info@rawington.com

SYSTEM  
**78 EURO TIMBER  
TILT & SLIDE DOORS**

DRAWING TITLE			
<b>TILT &amp; SLIDE DOOR HEAD DETAIL</b>			
DRAWN	CHECKED	DATE	SCALE
R.P.	A.P.		1-1
JOB NUMBER	DRAWING NUMBER	REVISION	
N/A	002		



SYSTEM

**78 EURO TIMBER  
TILT & SLIDE DOORS**

DRAWING TITLE

**TILT & SLIDE DOOR  
JAMB DETAIL**

DRAWN R.P. CHECKED A.P. DATE SCALE 1-1

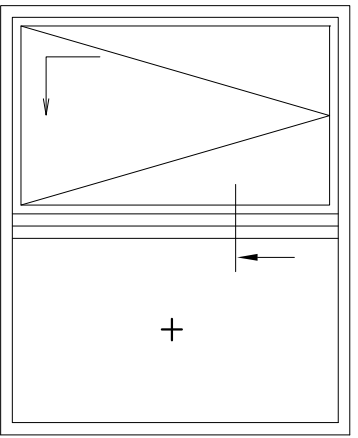
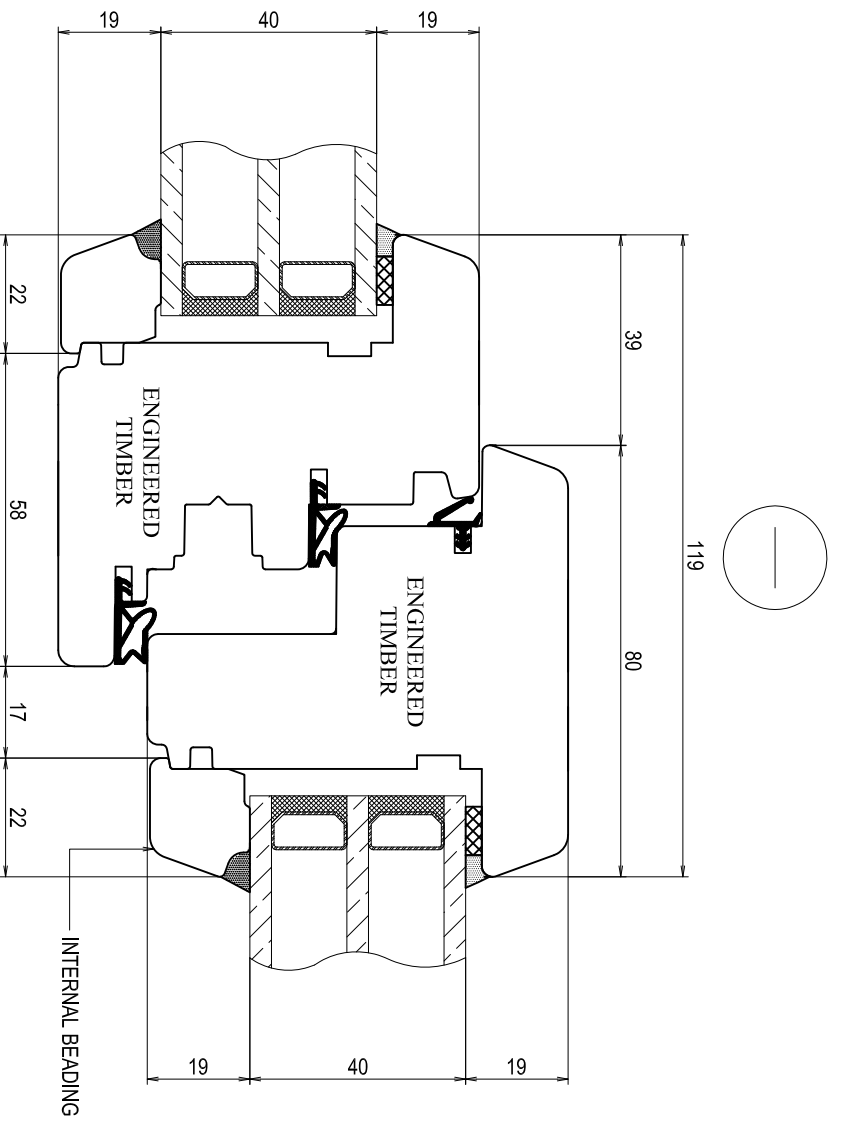
JOB NUMBER N/A DRAWING NUMBER 003 REVISION

Yale Business Campus  
10 North Road  
Yale  
Bristol  
BS30 7PA

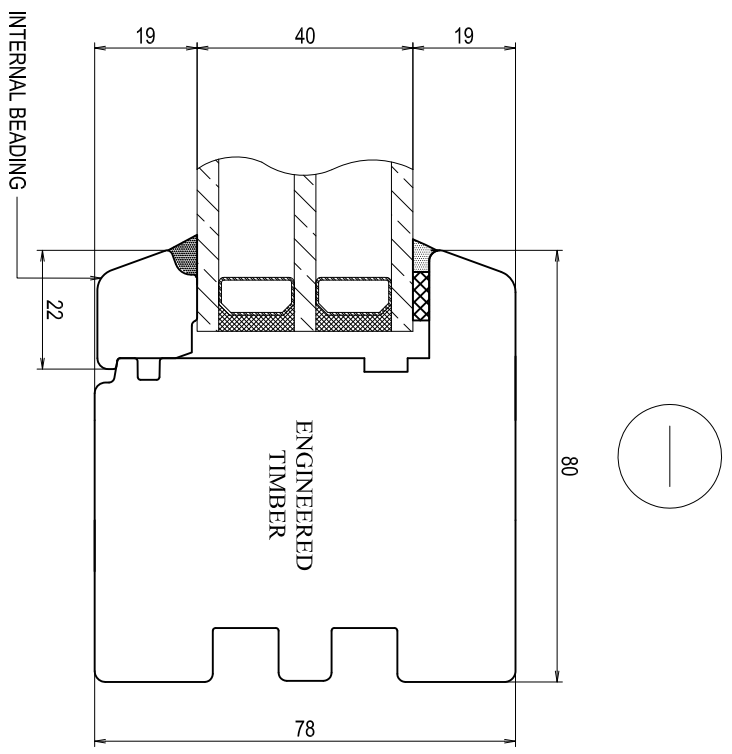
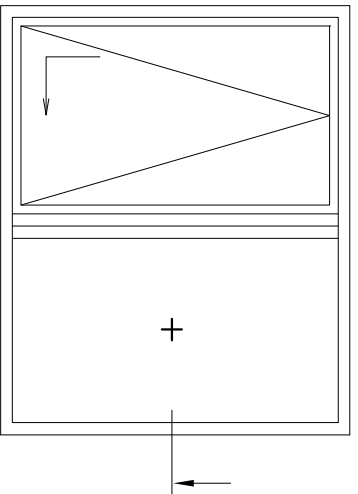
Tel 014 5452 8353  
Fax 014 5452 8353

Email info@rawington.com

**Rawington Ltd**  
WOOD-ALUMINIUM WINDOWS



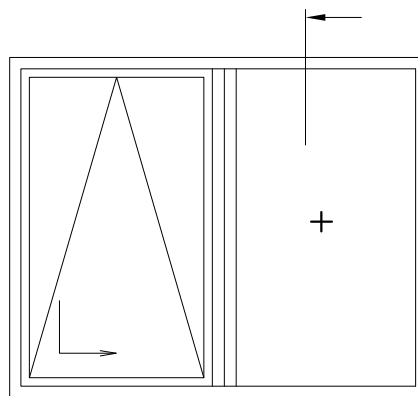
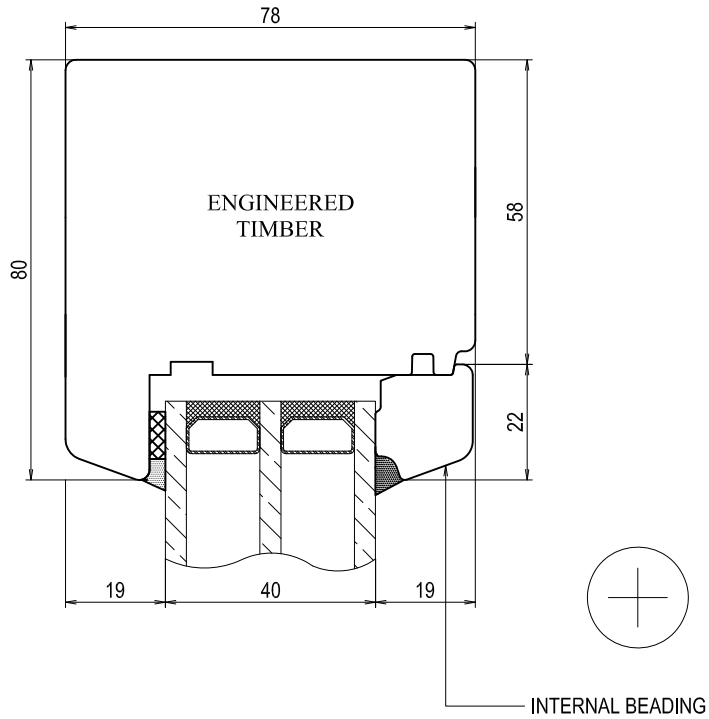
<p><b>Rawington Ltd</b> WOOD-ALUMINIUM WINDOWS</p>		<p>Yale Business Campus 10 North Road Yale Bristol BS37 7PA Tel 014 5452 8353 Fax 014 5452 8353 Email info@rawington.com</p>	
<p>SYSTEM</p>		<p>78 EURO TIMBER TILT &amp; SLIDE DOORS</p>	
<p>DRAWING TITLE</p>		<p>FIXED AND TILT &amp; SLIDE DOOR WITH VERTICAL MULLION HORIZONTAL SECTION</p>	
<p>DRAWN</p>	<p>CHECKED</p>	<p>DATE</p>	<p>SCALE</p>
<p>R.P.</p>	<p>A.P.</p>	<p>004</p>	<p>1-1</p>
<p>JOB NUMBER</p>	<p>DRAWING NUMBER</p>	<p>REVISION</p>	<p></p>
<p>N/A</p>	<p>004</p>	<p></p>	<p></p>



INTERNAL BEADING

ENGINEERED  
TIMBER

<p><b>Rawington Ltd</b> WOOD-ALUMINIUM WINDOWS</p>		<p>Yale Business Campus 10 North Road Yale Bristol BS37 7PA Tel 014 5452 8353 Fax 014 5452 8353 Email info@rawington.com</p>	
<p>SYSTEM</p>		<p>78 EURO TIMBER TILT &amp; SLIDE DOORS</p>	
<p>DRAWING TITLE</p>		<p>TYPICAL JAMB DETAIL FIXED SIDE LIGHT</p>	
DRAWN	CHECKED	DATE	SCALE
R.P.	A.P.		1-1
JOB NUMBER	DRAWING NUMBER	REVISION	
N/A	005		



**Rawington Ltd**  
WOOD-ALUMINIUM WINDOWS

Yate Business Campus  
10 North Road  
Yate  
Bristol  
BS37 7PA  
Tel 014 5452 8353  
Fax 014 5452 8353  
Email info@rawington.com

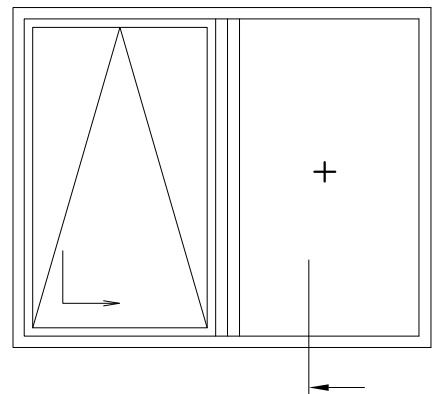
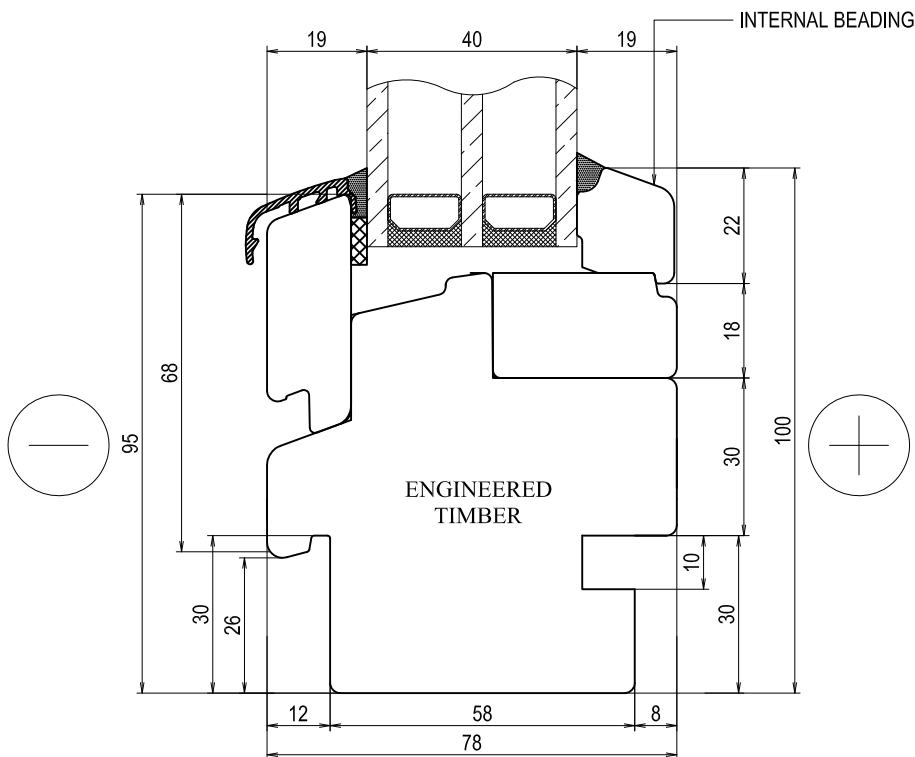
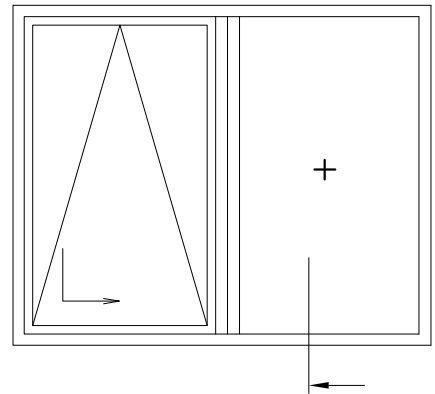
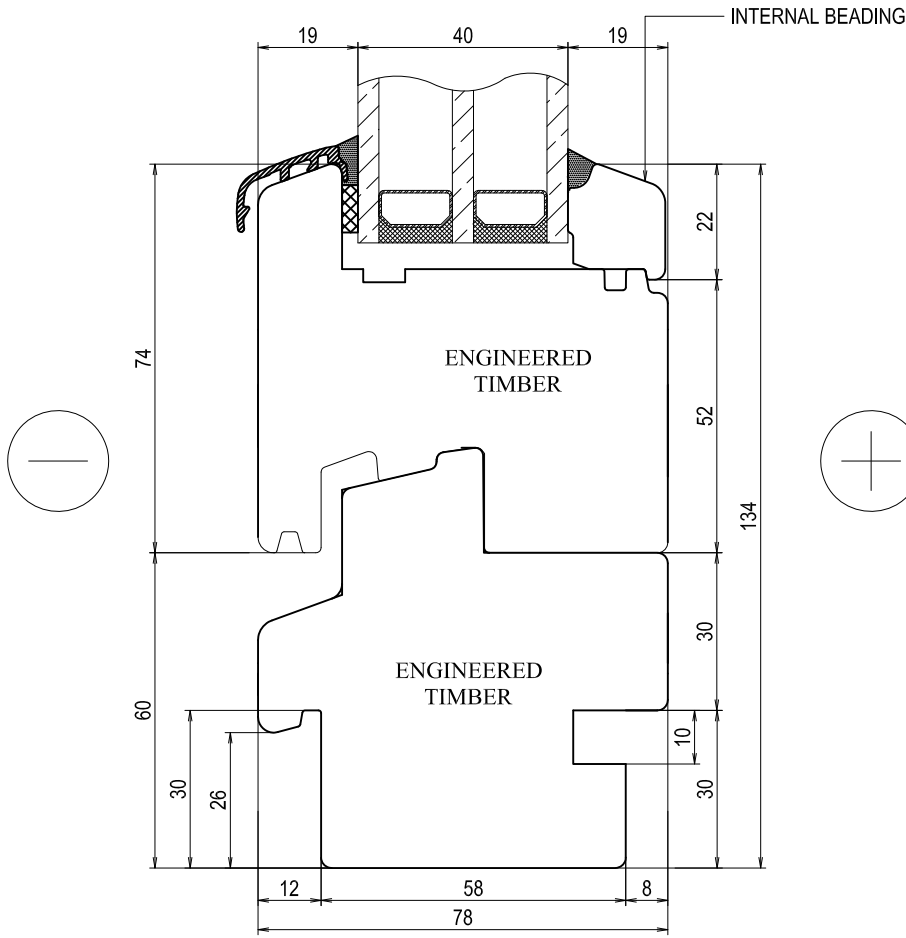
SYSTEM

78 EURO TIMBER  
TILT & SLIDE DOORS

DRAWING TITLE

FIXED WINDOW  
HEAD DETAIL

DRAWN R.P.	CHECKED A.P.	DATE	SCALE 1-1
JOB NUMBER N/A	DRAWING NUMBER 006	REVISION	



**Rawington Ltd**  
WOOD-ALUMINIUM WINDOWS

Yate Business Campus  
10 North Road  
Yate  
Bristol  
BS37 7PA  
Tel 014 5452 8353  
Fax 014 5452 8353  
Email info@rawington.com

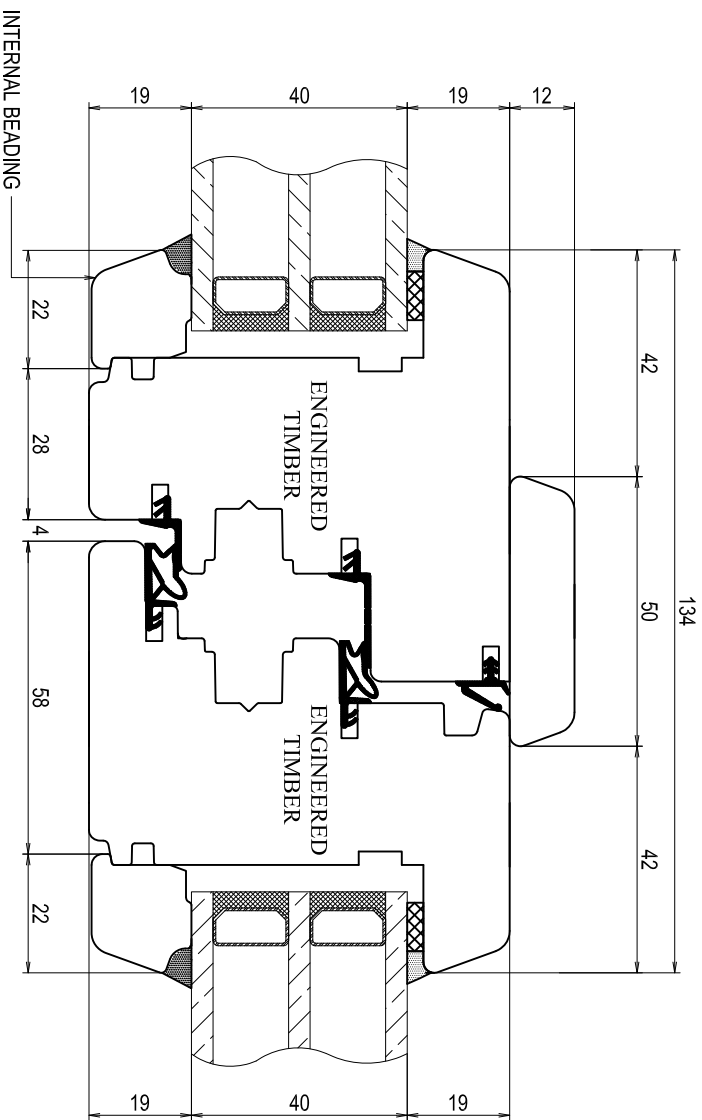
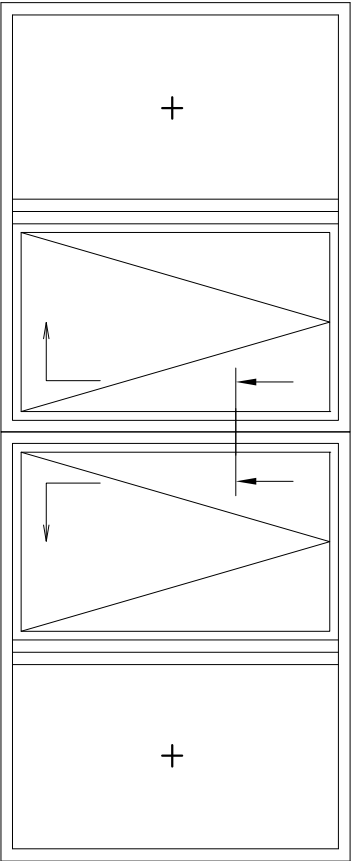
SYSTEM

78 EURO TIMBER  
TILT & SLIDE DOORS

DRAWING TITLE

FIXED WINDOW  
CILL DETAIL

DRAWN R.P.	CHECKED A.P.	DATE	SCALE 1-1
JOB NUMBER N/A	DRAWING NUMBER 007	REVISION	



**Rawington Ltd**  
WOOD-ALUMINIUM WINDOWS

Yale Business Campus  
10 North Road  
Yale  
Bristol  
BS37 7PA  
Tel 01454 5452 8353  
Fax 01454 5452 8353  
Email info@rawington.com

SYSTEM  
**78 EURO TIMBER  
TILT & SLIDE DOORS**

DRAWING TITLE  
**HORIZONTAL SECTION  
FRENCH TYPE  
TILT & SLIDE DOOR**

DRAWN	CHECKED	DATE	SCALE
R.P.	A.P.		1-1
JOB NUMBER	DRAWING NUMBER	REVISION	
N/A	008		