

Rawington Ltd
WOOD-ALUMINIUM WINDOWS

Yate Business Campus
10 North Road
Yate
Bristol
BS37 7PA
Tel 014 5452 8353
Fax 014 5452 8353
Email info@rawington.com

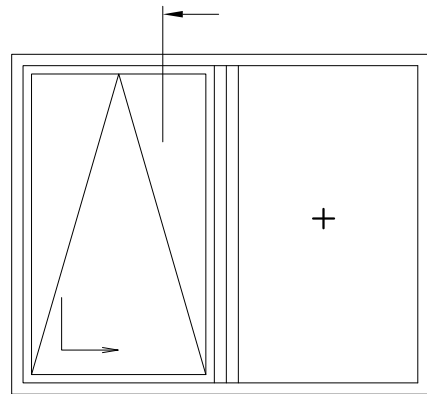
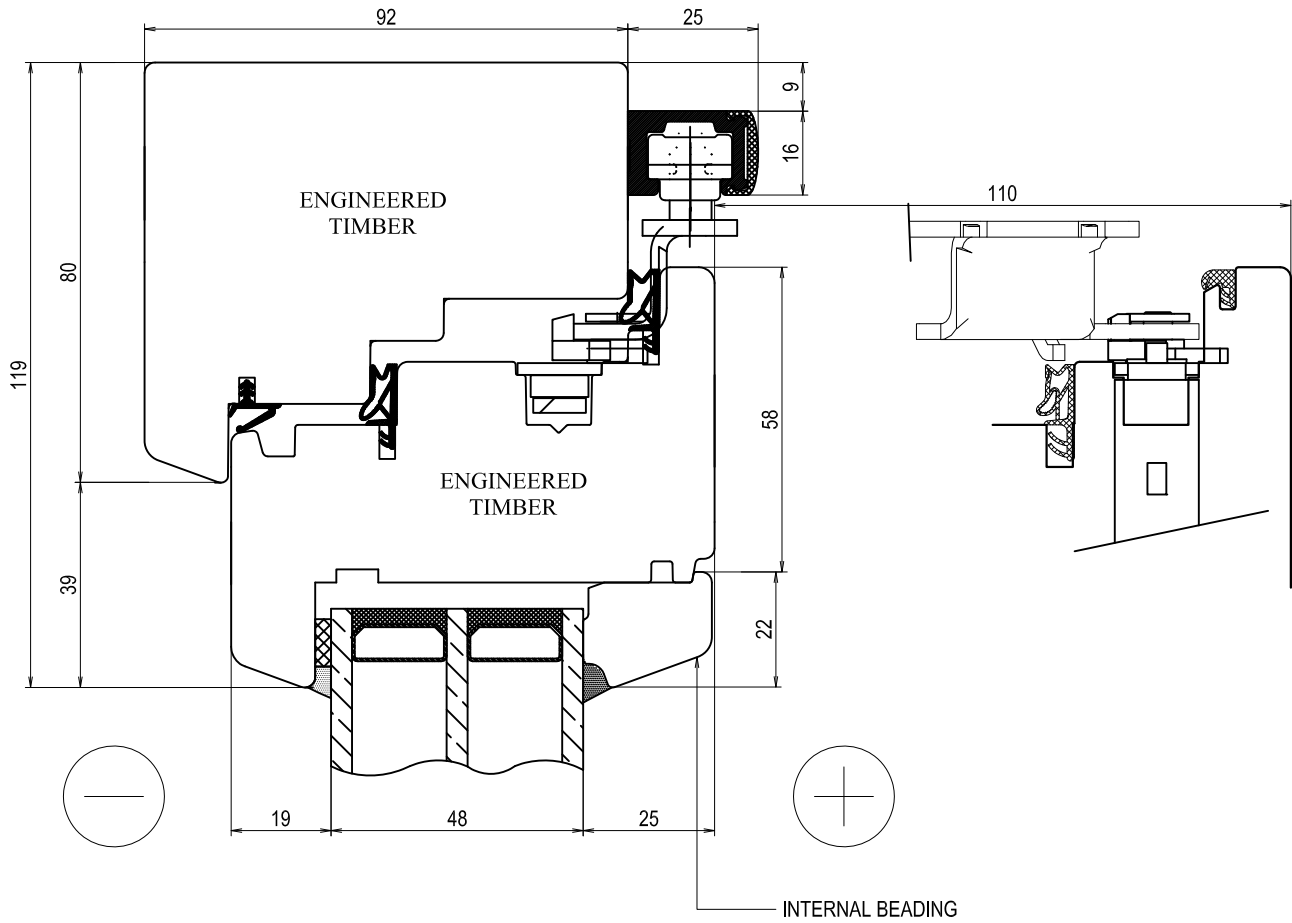
SYSTEM

92 EURO TIMBER
TILT & SLIDE DOORS

DRAWING TITLE

TILT & SLIDE DOOR
CILL DETAIL

DRAWN	CHECKED	DATE	SCALE
R.P.	A.P.		1-1
JOB NUMBER	DRAWING NUMBER	REVISION	
N/A	001		



Rawington Ltd
WOOD-ALUMINIUM WINDOWS

Yate Business Campus
10 North Road
Yate
Bristol
BS37 7PA
Tel 014 5452 8353
Fax 014 5452 8353
Email info@rawington.com

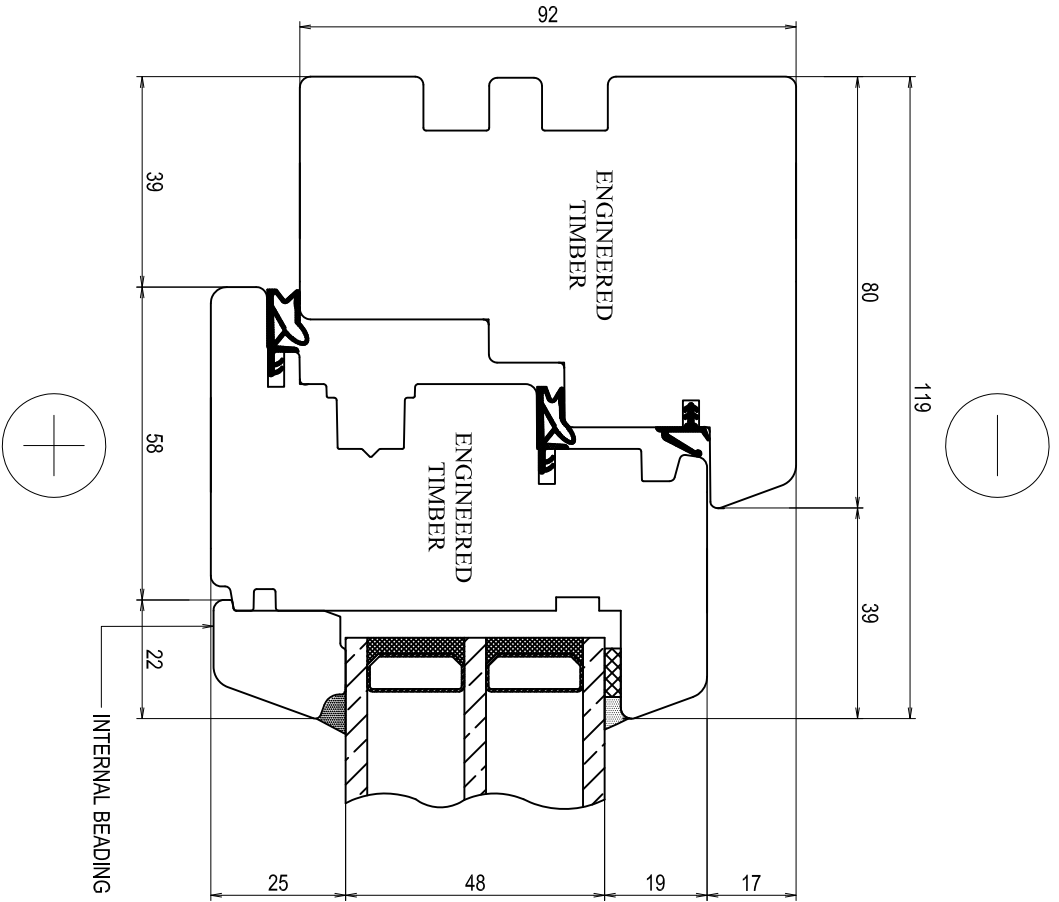
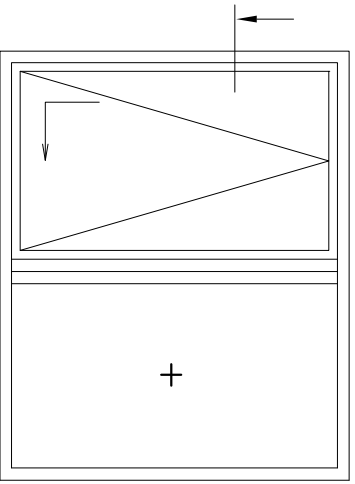
SYSTEM

92 EURO TIMBER
TILT & SLIDE DOORS

DRAWING TITLE

TILT & SLIDE DOOR
HEAD DETAIL

DRAWN R.P.	CHECKED A.P.	DATE	SCALE 1-1
JOB NUMBER N/A	DRAWING NUMBER 002	REVISION	



Yale Business Campus
10 North Road
Yale
Bristol
BS30 7PA

Rawington Ltd
WOOD-ALUMINIUM WINDOWS

Tel 014 5452 8353
Fax 014 5452 8353
Email info@rawington.com

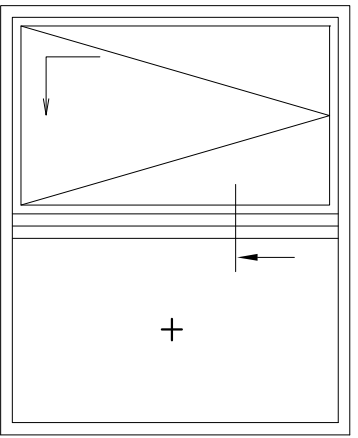
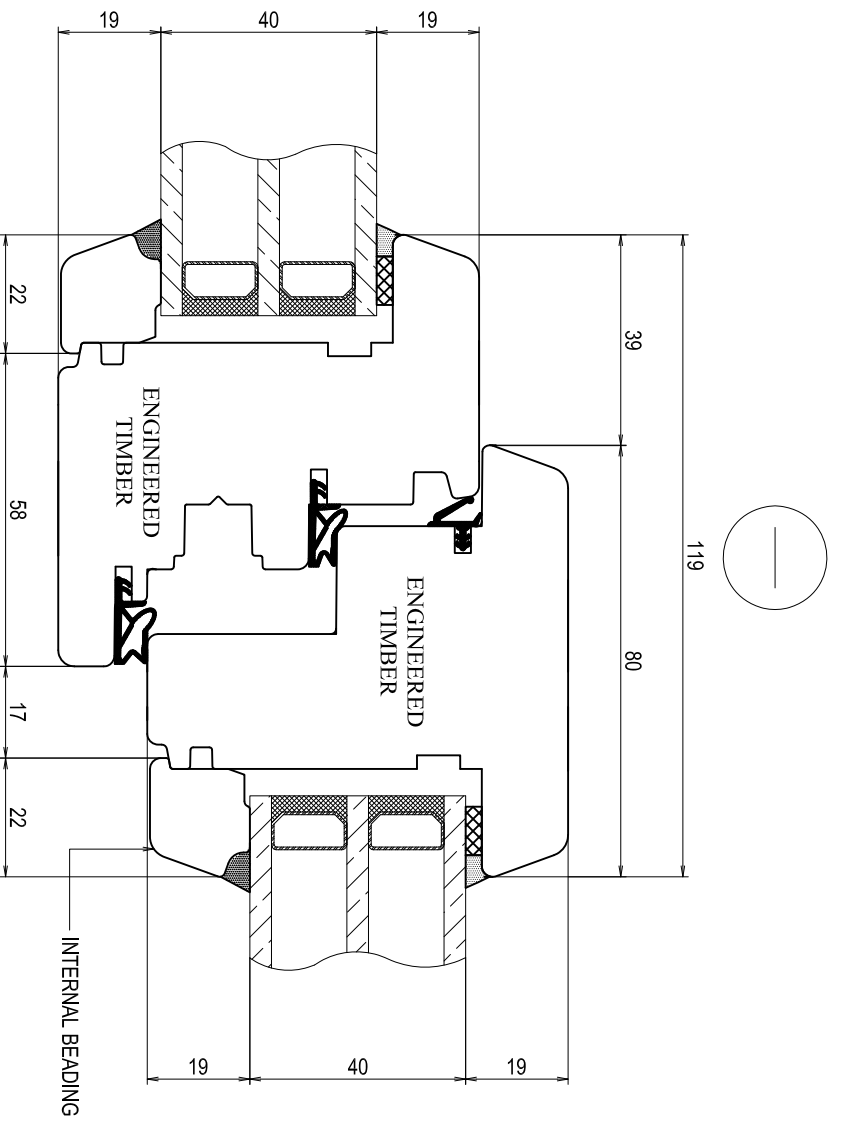
SYSTEM

**92 EURO TIMBER
TILT & SLIDE DOORS**

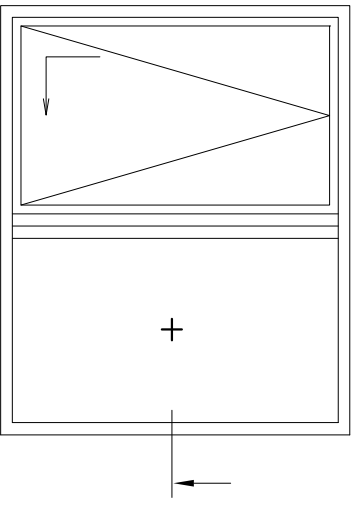
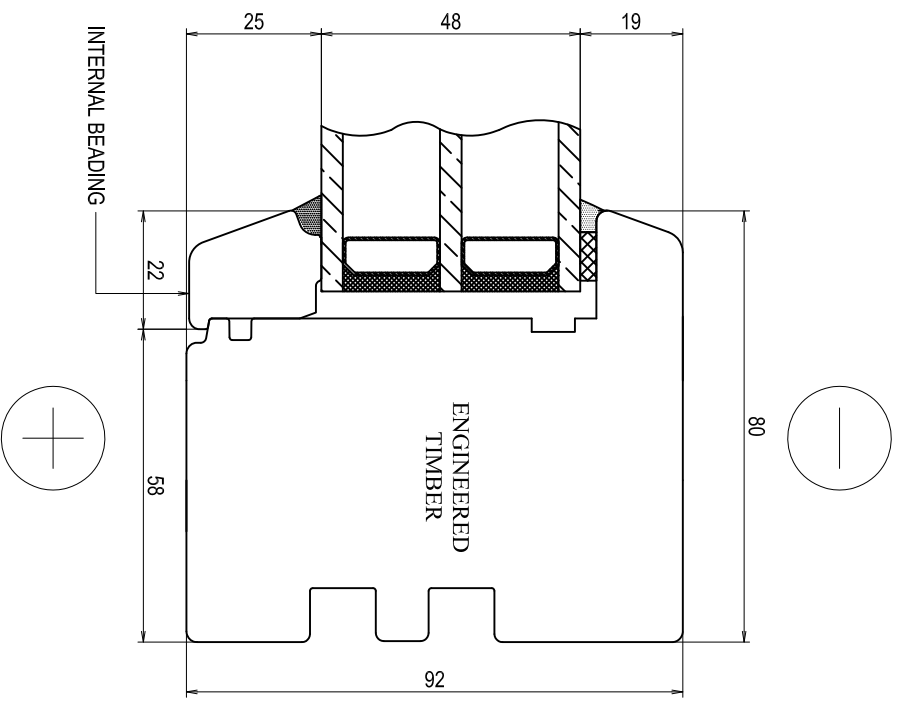
DRAWING TITLE

**TILT & SLIDE DOOR
JAMB DETAIL**

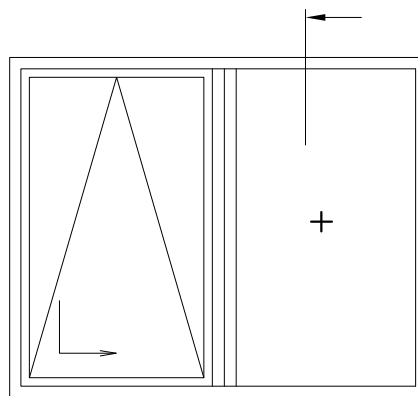
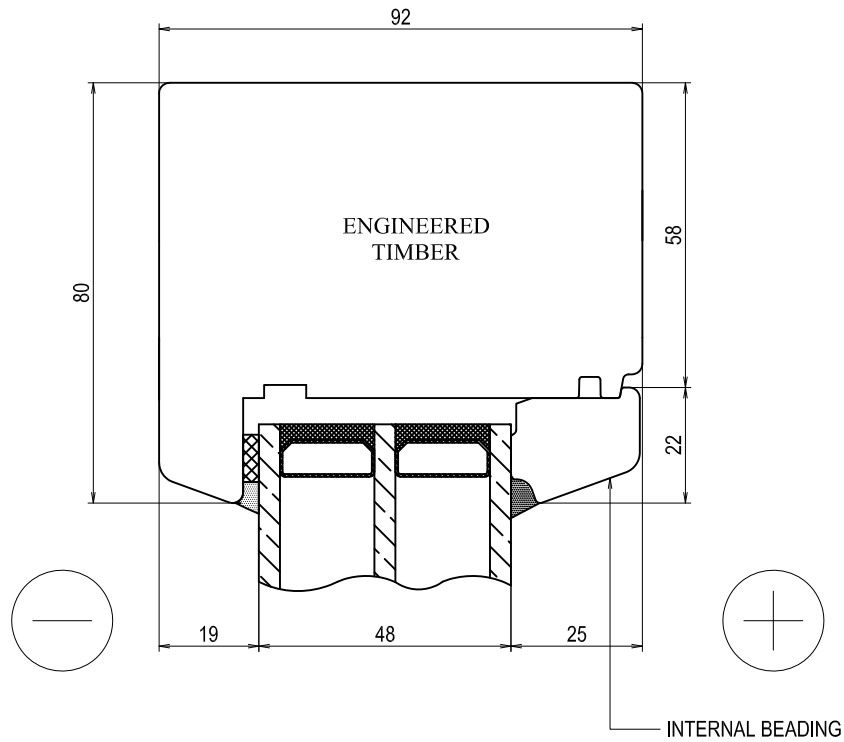
DRAWN	CHECKED	DATE	SCALE
R.P.	A.P.		1-1
JOB NUMBER	DRAWING NUMBER	REVISION	
N/A	003		



<p>Rawington Ltd WOOD-ALUMINIUM WINDOWS</p>		<p>Yale Business Campus 10 North Road Yale Bristol BS37 7PA Tel 014 5452 8353 Fax 014 5452 8353 Email info@rawington.com</p>	
<p>SYSTEM</p>		<p>92 EURO TIMBER TILT & SLIDE DOORS</p>	
<p>DRAWING TITLE</p>		<p>FIXED AND TILT & SLIDE DOOR WITH VERTICAL MULLION HORIZONTAL SECTION</p>	
<p>DRAWN</p>	<p>CHECKED</p>	<p>DATE</p>	<p>SCALE</p>
<p>R.P.</p>	<p>A.P.</p>	<p>004</p>	<p>1-1</p>
<p>JOB NUMBER</p>	<p>DRAWING NUMBER</p>	<p>REVISION</p>	
<p>N/A</p>	<p>004</p>		



<p>Rawington Ltd WOOD-ALUMINIUM WINDOWS</p>		<p>Yate Business Campus 10 North Road Yate Bristol BS37 7PA Tel 014 5452 8353 Fax 014 5452 8353 Email info@rawington.com</p>	
<p>SYSTEM</p>		<p>92 EURO TIMBER TILT & SLIDE DOORS</p>	
<p>DRAWING TITLE</p>		<p>TYPICAL JAMB DETAIL FIXED SIDE LIGHT</p>	
DRAWN	CHECKED	DATE	SCALE
R.P.	A.P.		1-1
JOB NUMBER	DRAWING NUMBER	REVISION	
N/A	005		



Rawington Ltd
WOOD-ALUMINIUM WINDOWS

Yate Business Campus
10 North Road
Yate
Bristol
BS37 7PA
Tel 014 5452 8353
Fax 014 5452 8353
Email info@rawington.com

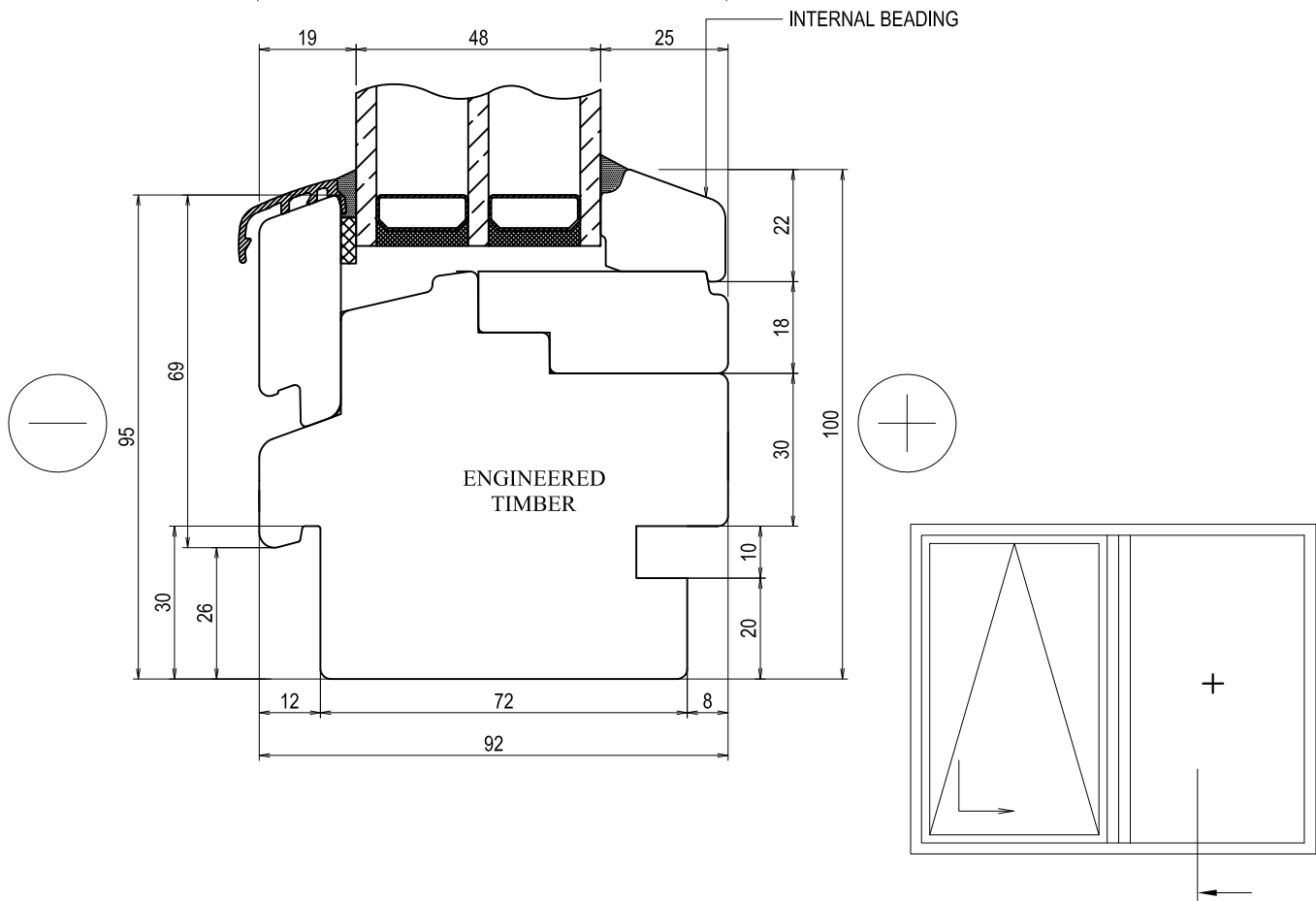
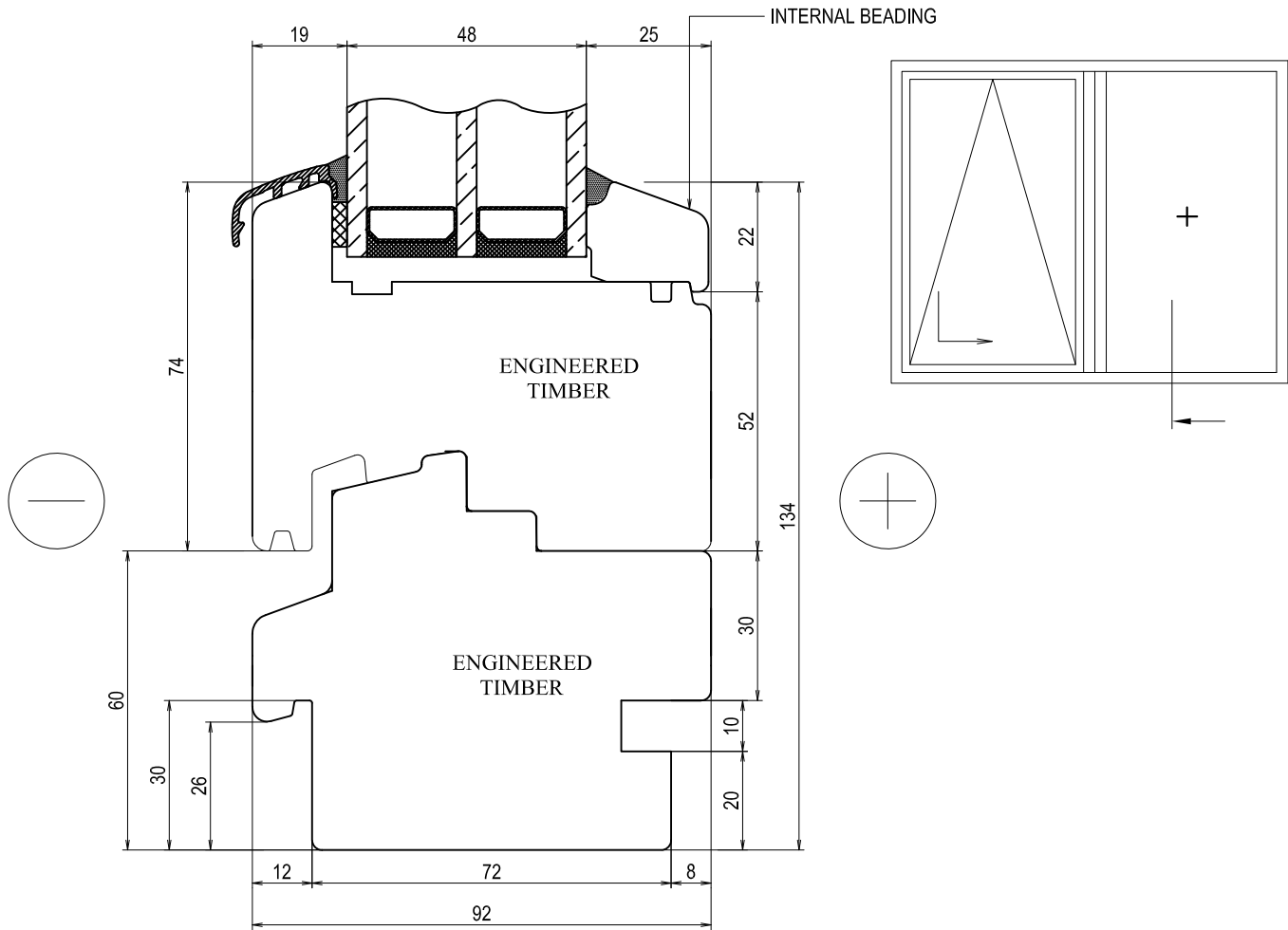
SYSTEM

92 EURO TIMBER
TILT & SLIDE DOORS

DRAWING TITLE

FIXED WINDOW
HEAD DETAIL

DRAWN R.P.	CHECKED A.P.	DATE	SCALE 1-1
JOB NUMBER N/A	DRAWING NUMBER 006	REVISION	



Rawington Ltd
WOOD-ALUMINIUM WINDOWS

Yate Business Campus
10 North Road
Yate
Bristol
BS37 7PA
Tel 014 5452 8353
Fax 014 5452 8353
Email info@rawington.com

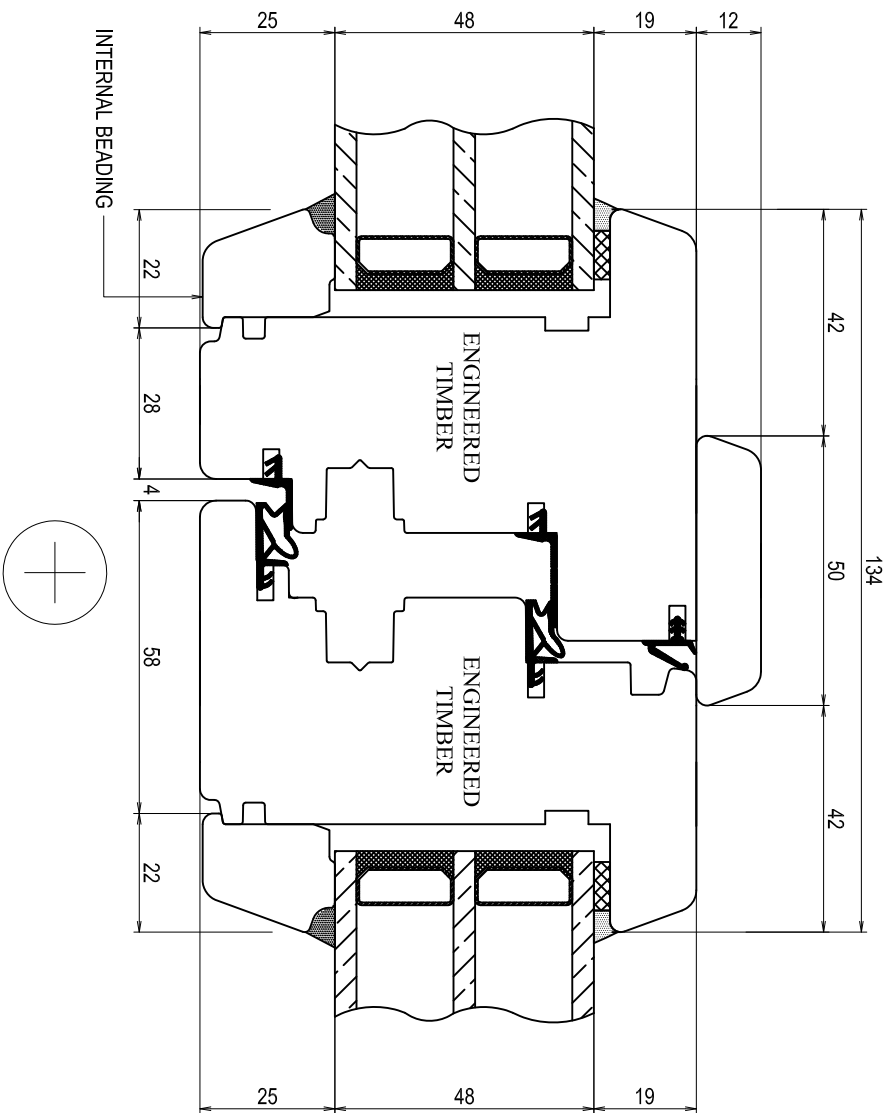
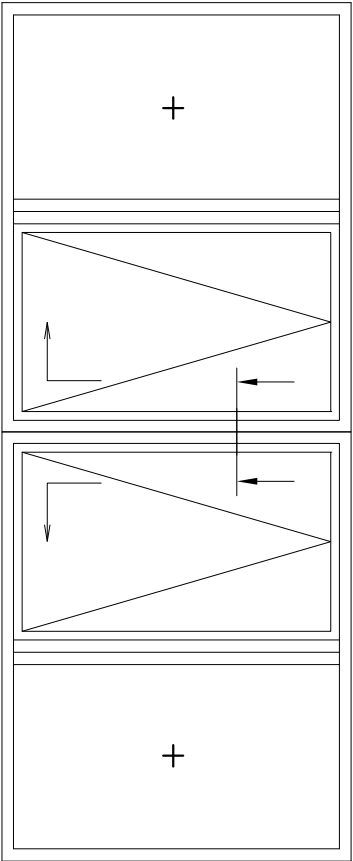
SYSTEM

92 EURO TIMBER
TILT & SLIDE DOORS

DRAWING TITLE

FIXED WINDOW
CILL DETAIL

DRAWN	CHECKED	DATE	SCALE
R.P.	A.P.		1-1
JOB NUMBER	DRAWING NUMBER	REVISION	
N/A	007		



Yale Business Campus
10 North Road
Yale
Bristol
BS37 7PA

Rawington Ltd
WOOD-ALUMINIUM WINDOWS

Tel 014 5452 8353
Fax 014 5452 8353
Email info@rawington.com

SYSTEM

92 EURO TIMBER
TILT & SLIDE DOORS

DRAWING TITLE

HORIZONTAL SECTION
FRENCH TYPE
TILT & SLIDE DOOR

DRAWN

R.P.

CHECKED

A.P.

DATE

SCALE

1-1

JOB NUMBER

N/A

DRAWING NUMBER

008

REVISION