

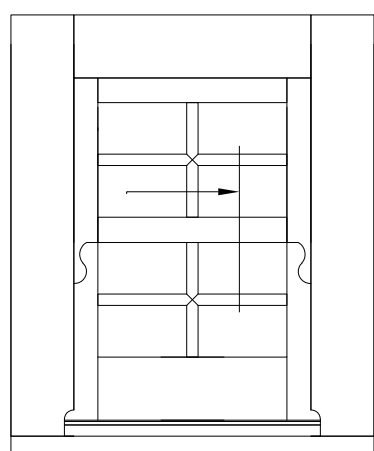
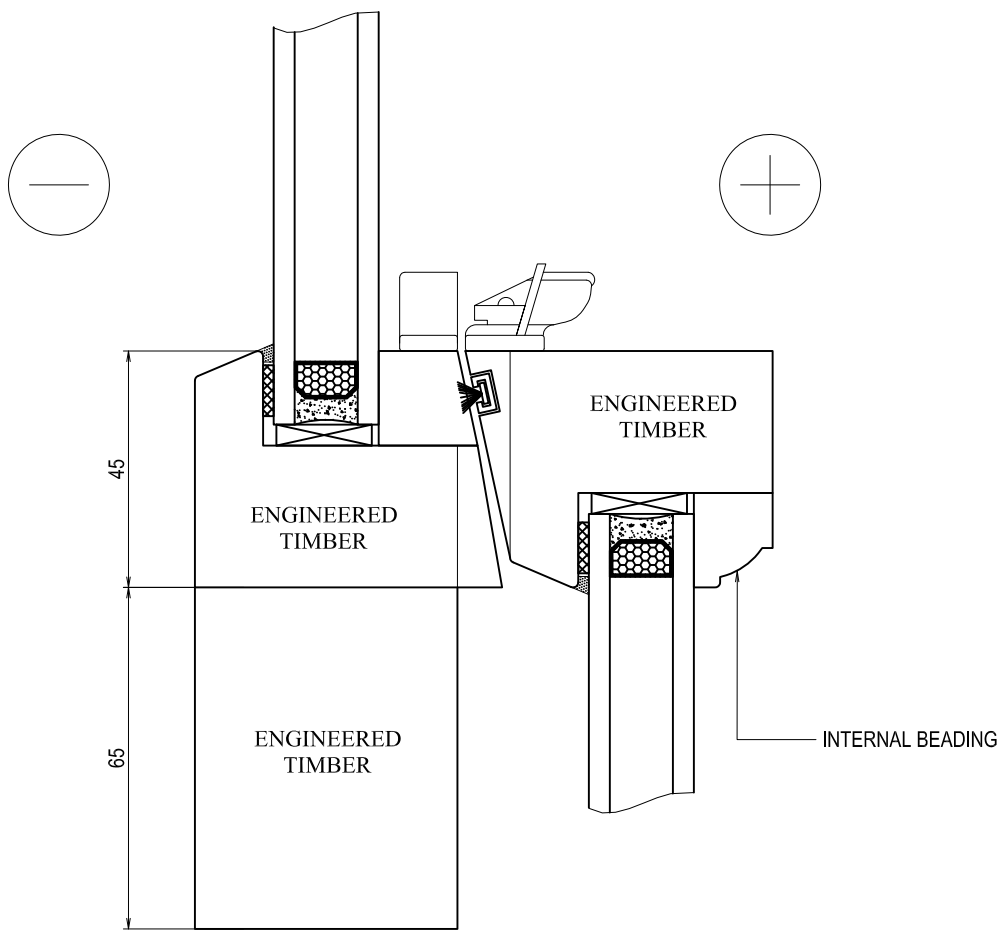
Rawington Ltd
WOOD-ALUMINIUM WINDOWS

Yate Business Campus
10 North Road
Yate
Bristol
BS37 7PA
Tel 014 5452 8353
Fax 014 5452 8353
Email info@rawington.com

SYSTEM
**TIMBER SASH WINDOW
WITH SPIRAL BALANCES**

DRAWING TITLE
**SASH WINDOW
HEAD DETAIL**

DRAWN R.P.	CHECKED A.P.	DATE	SCALE 1-1
JOB NUMBER N/A	DRAWING NUMBER 001	REVISION	

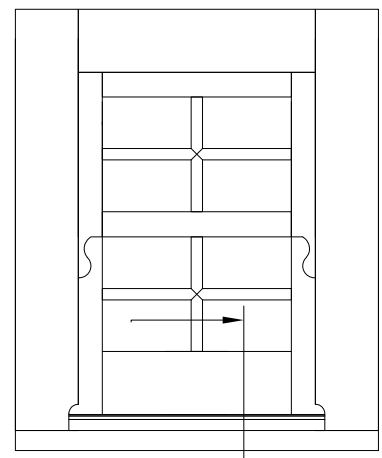
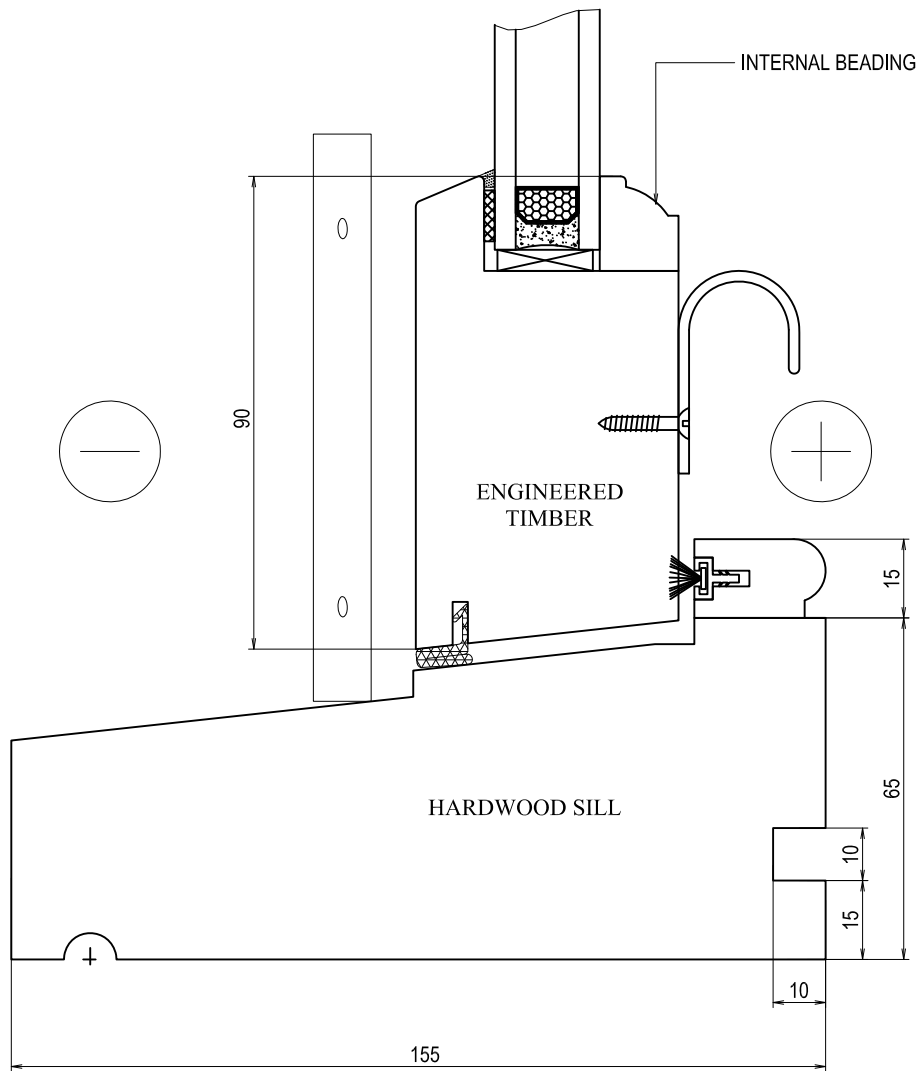


Rawington Ltd
WOOD-ALUMINIUM WINDOWS

Yate Business Campus
10 North Road
Yate
Bristol
BS37 7PA
Tel 014 5452 8353
Fax 014 5452 8353
Email info@rawington.com

SYSTEM
**TIMBER SASH WINDOW
WITH SPIRAL BALANCES**

DRAWING TITLE			
TRANSOM DETAIL			
DRAWN	CHECKED	DATE	SCALE
R.P.	A.P.		1-1
JOB NUMBER	DRAWING NUMBER	REVISION	
N/A	002		



Rawington Ltd
WOOD-ALUMINIUM WINDOWS

Yate Business Campus
10 North Road
Yate
Bristol
BS37 7PA
Tel 014 5452 8353
Fax 014 5452 8353
Email info@rawington.com

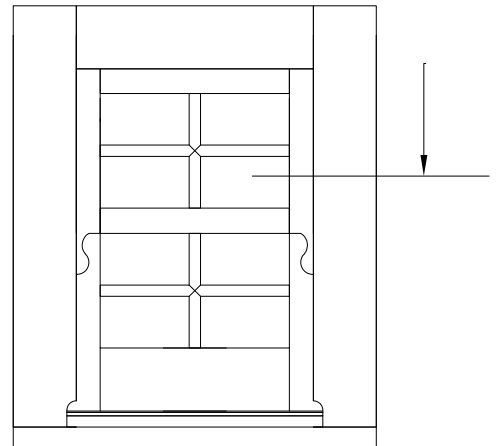
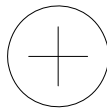
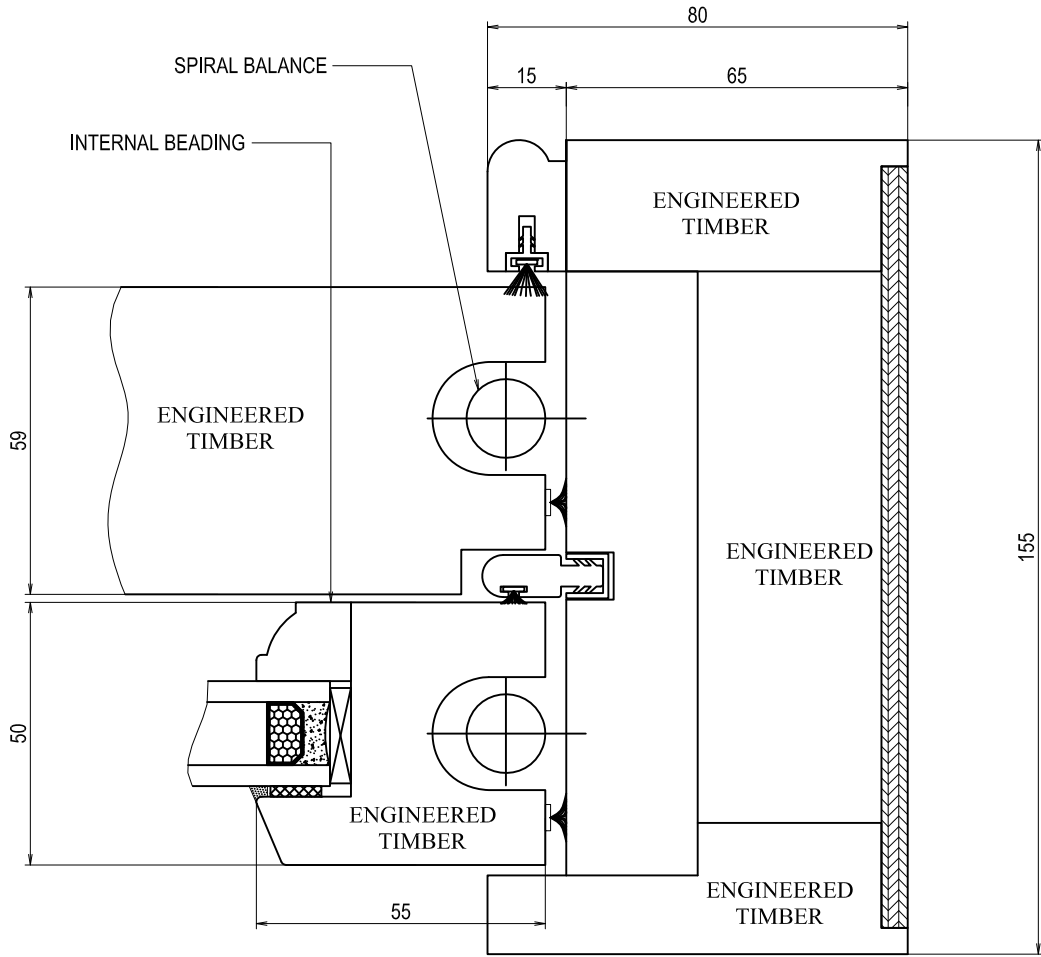
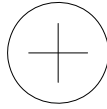
SYSTEM

TIMBER SASH WINDOW
WITH SPIRAL BALANCES

DRAWING TITLE

SILL DETAIL

DRAWN	CHECKED	DATE	SCALE
R.P.	A.P.		1-1
JOB NUMBER	DRAWING NUMBER	REVISION	
N/A	003		



Rawington Ltd
WOOD-ALUMINIUM WINDOWS

Yate Business Campus
10 North Road
Yate
Bristol
BS37 7PA
Tel 014 5452 8353
Fax 014 5452 8353
Email info@rawington.com

SYSTEM

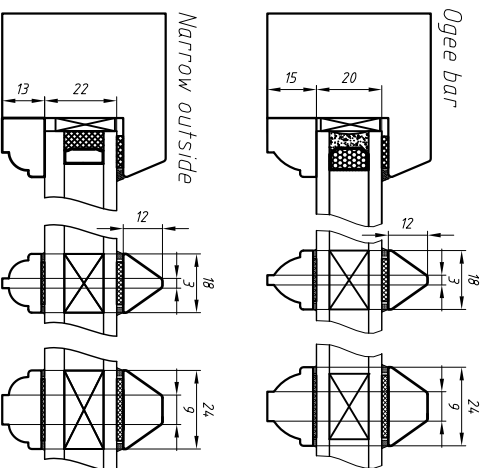
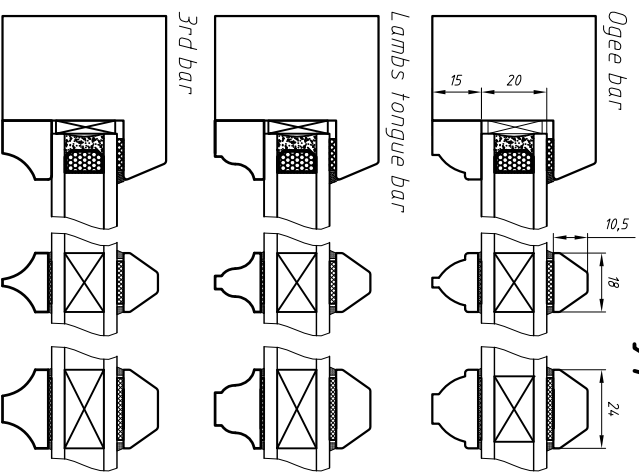
TIMBER SASH WINDOW
WITH SPIRAL BALANCES

DRAWING TITLE

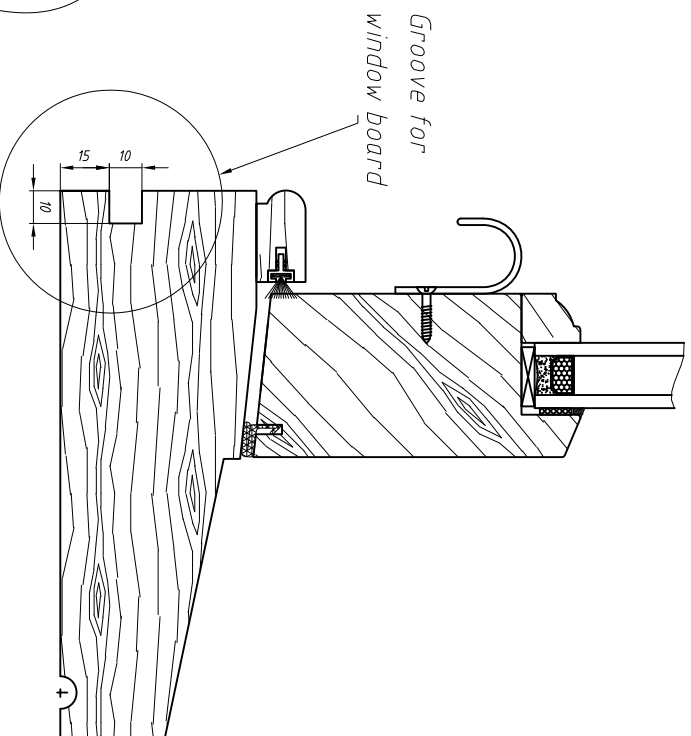
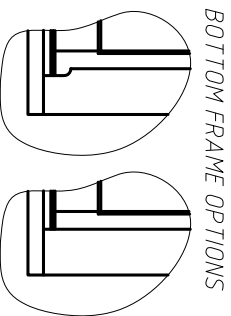
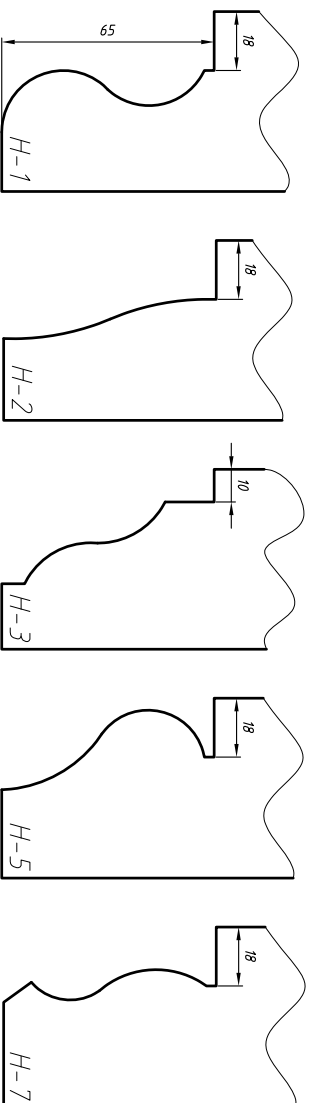
JAMB DETAIL

DRAWN	CHECKED	DATE	SCALE
R.P.	A.P.		1-1
JOB NUMBER	DRAWING NUMBER	REVISION	
N/A	004		

Bar and bead types



Horn types



SYSTEM

DRAWING TITLE

JAMB DETAIL OF
OPEN IN DOOR

TIMBER SASH WINDOW
WITH SPIRAL
BALANCES

DRAWN	CHECKED	DATE	SCALE
R.P.	A.P.		1-1
JOB NUMBER	DRAWING NUMBER	REVISION	
N/A	005		

Rawington Ltd
WOOD-ALUMINIUM WINDOWS

Yale Business Campus
10 North Road
Yale
Bristol
BS37 7PA
Tel 01454 5452 8353
Fax 01454 5452 8353
Email info@rawington.com