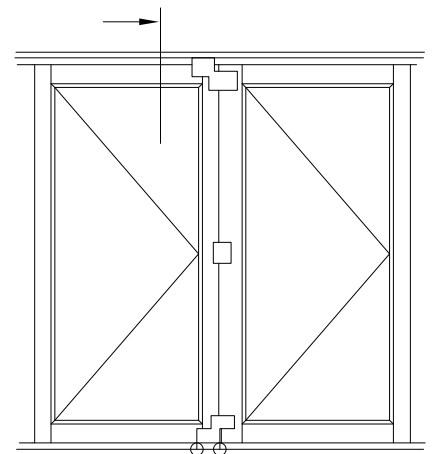


SUPPORTING TRACK



Rawington Ltd
WOOD-ALUMINIUM WINDOWS

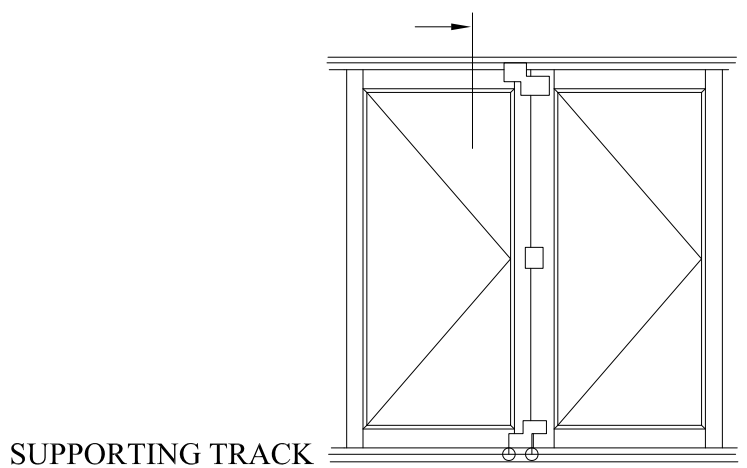
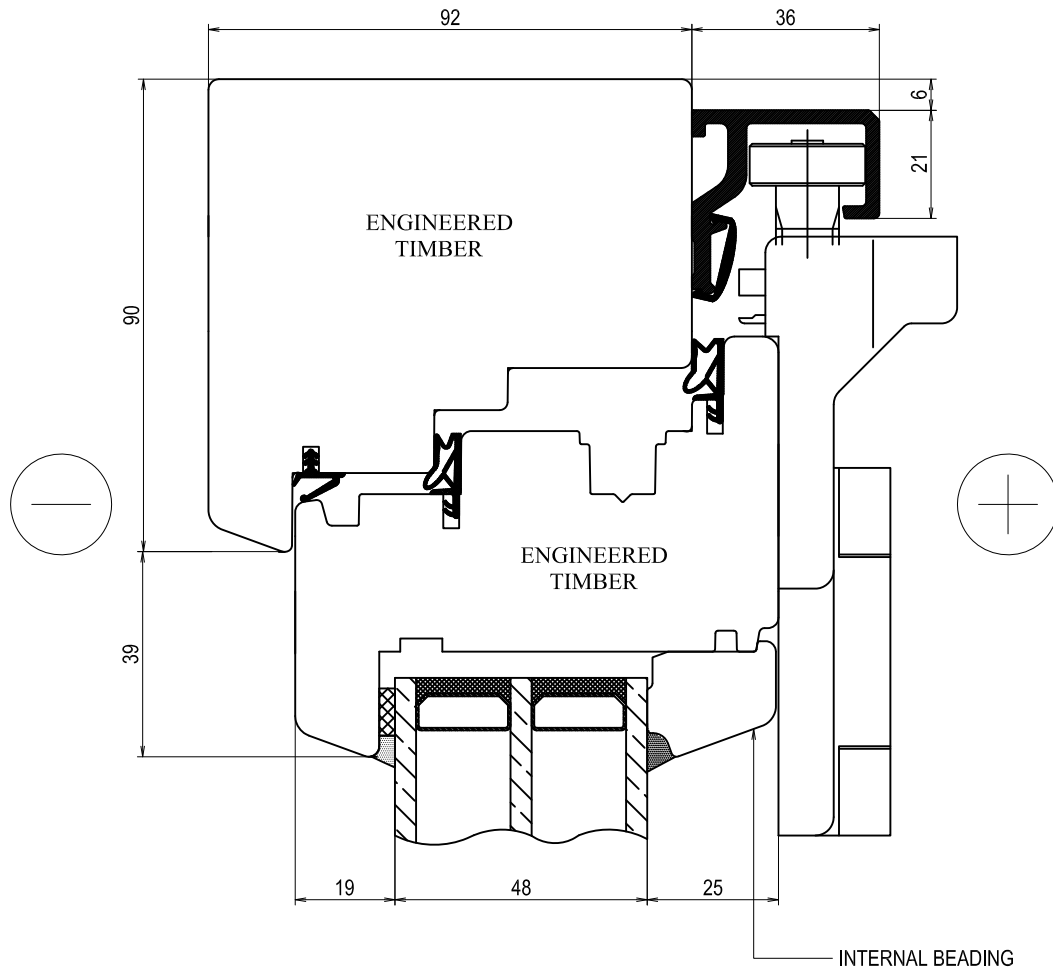
Yate Business Campus
10 North Road
Yate
Bristol
BS37 7PA
Tel 014 5452 8353
Fax 014 5452 8353
Email info@rawington.com

SYSTEM

92 EURO
BI-FOLD DOORS

DRAWING TITLE
OPEN IN BI-FOLD DOOR
HEAD DETAIL
WITH TOP SUPPORTING TRACK

DRAWN R.P.	CHECKED A.P.	DATE	SCALE 1-1
JOB NUMBER N/A	DRAWING NUMBER 001	REVISION	



Rawington Ltd
WOOD-ALUMINIUM WINDOWS

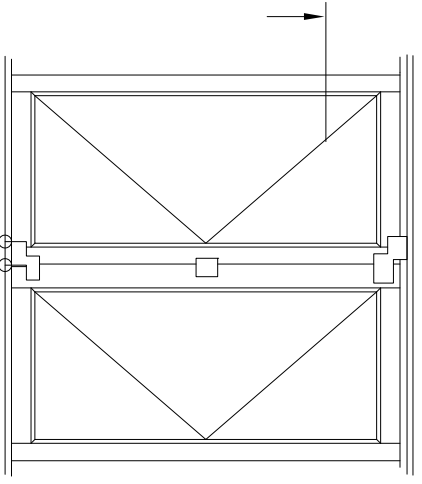
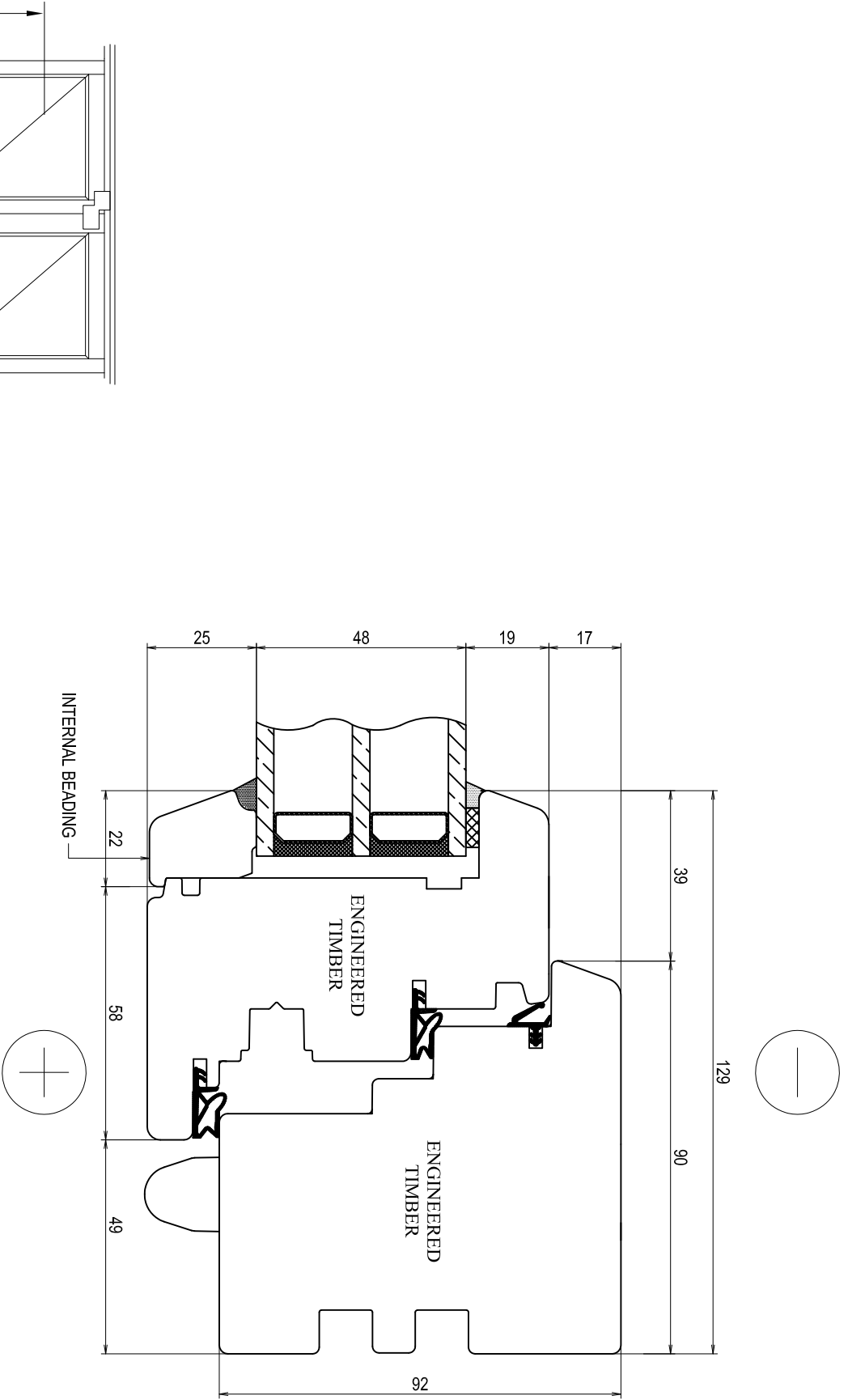
Yate Business Campus
10 North Road
Yate
Bristol
BS37 7PA
Tel 014 5452 8353
Fax 014 5452 8353
Email info@rawington.com

SYSTEM

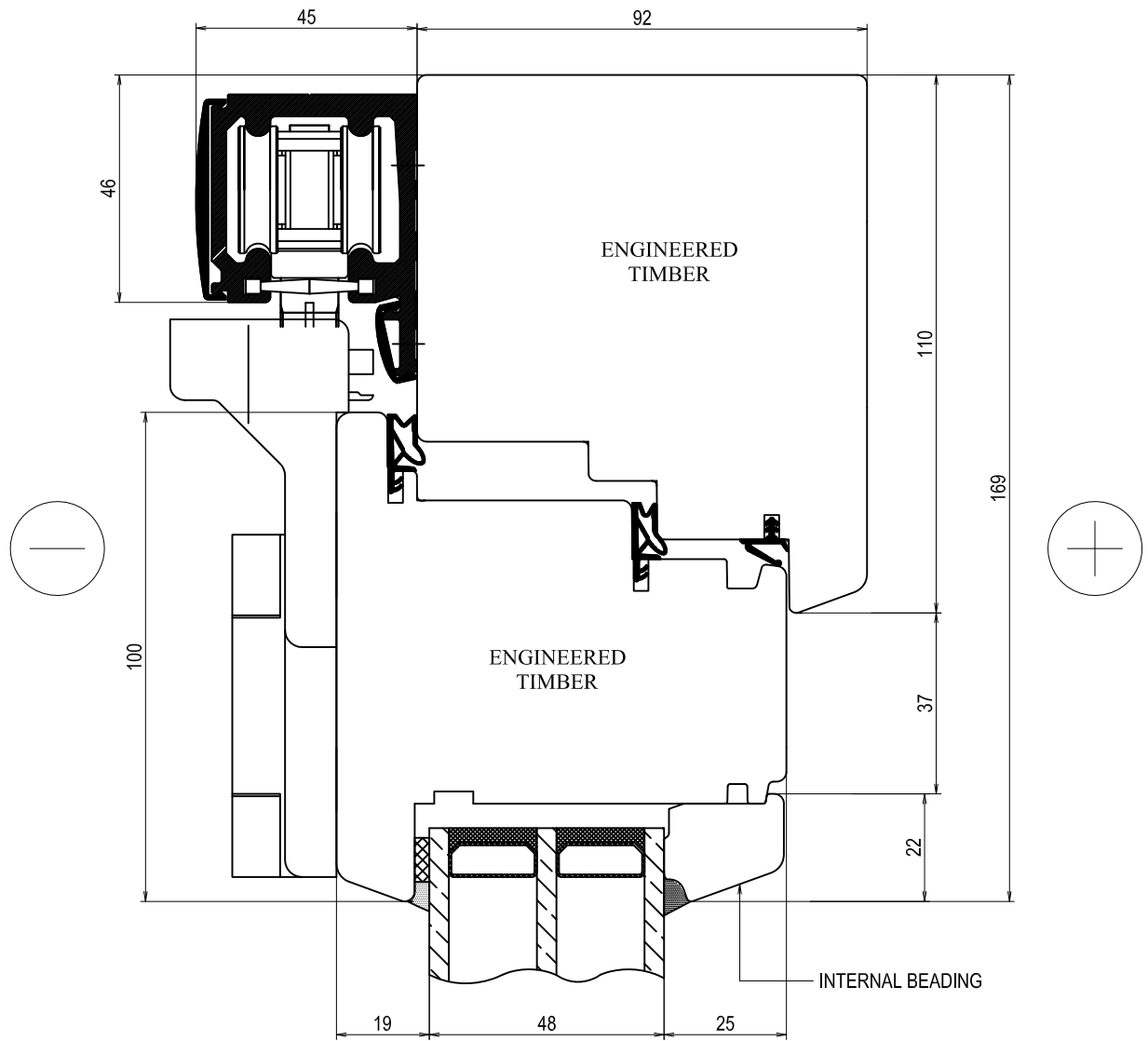
92 EURO
BI-FOLD DOORS

DRAWING TITLE
OPEN IN BI-FOLD DOOR
HEAD DETAIL
WITH BOTTOM SUPPORTING TRACK

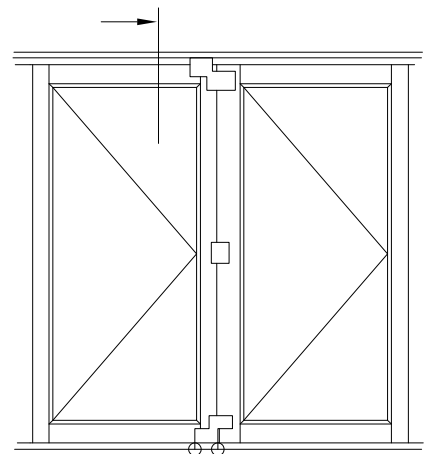
DRAWN R.P.	CHECKED A.P.	DATE	SCALE 1-1
JOB NUMBER N/A	DRAWING NUMBER 002	REVISION	



<p>Rawington Ltd WOOD-ALUMINIUM WINDOWS</p>		<p>Yale Business Campus 10 North Road Yale Bristol BS37 7PA Tel 014 5452 8353 Fax 014 5452 8353 Email info@rawington.com</p>	
<p>92 EURO BI-FOLD DOORS</p>		<p>SYSTEM</p>	
<p>DRAWING TITLE</p> <p>OPEN IN BI-FOLD DOOR JAMB DETAIL</p>		<p>DRAWN</p> <p>R.P.</p>	
<p>CHECKED</p> <p>A.P.</p>		<p>DATE</p>	
<p>JOB NUMBER</p> <p>N/A</p>		<p>DRAWING NUMBER</p> <p>003</p>	
<p>SCALE</p> <p>1-1</p>		<p>REVISION</p>	



SUPPORTING TRACK



Rawington Ltd
WOOD-ALUMINIUM WINDOWS

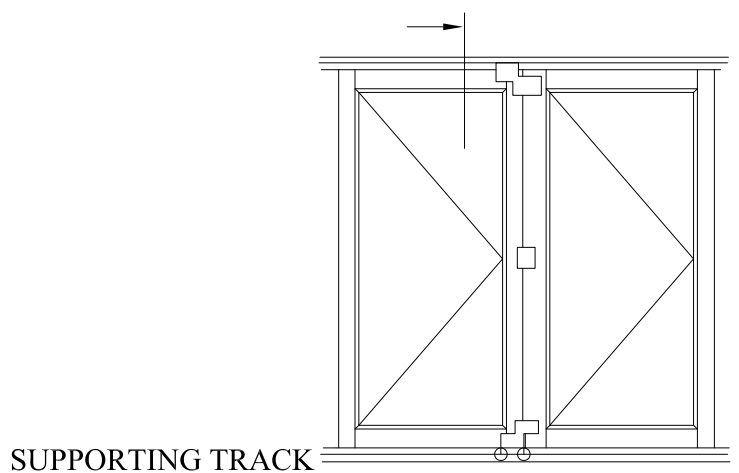
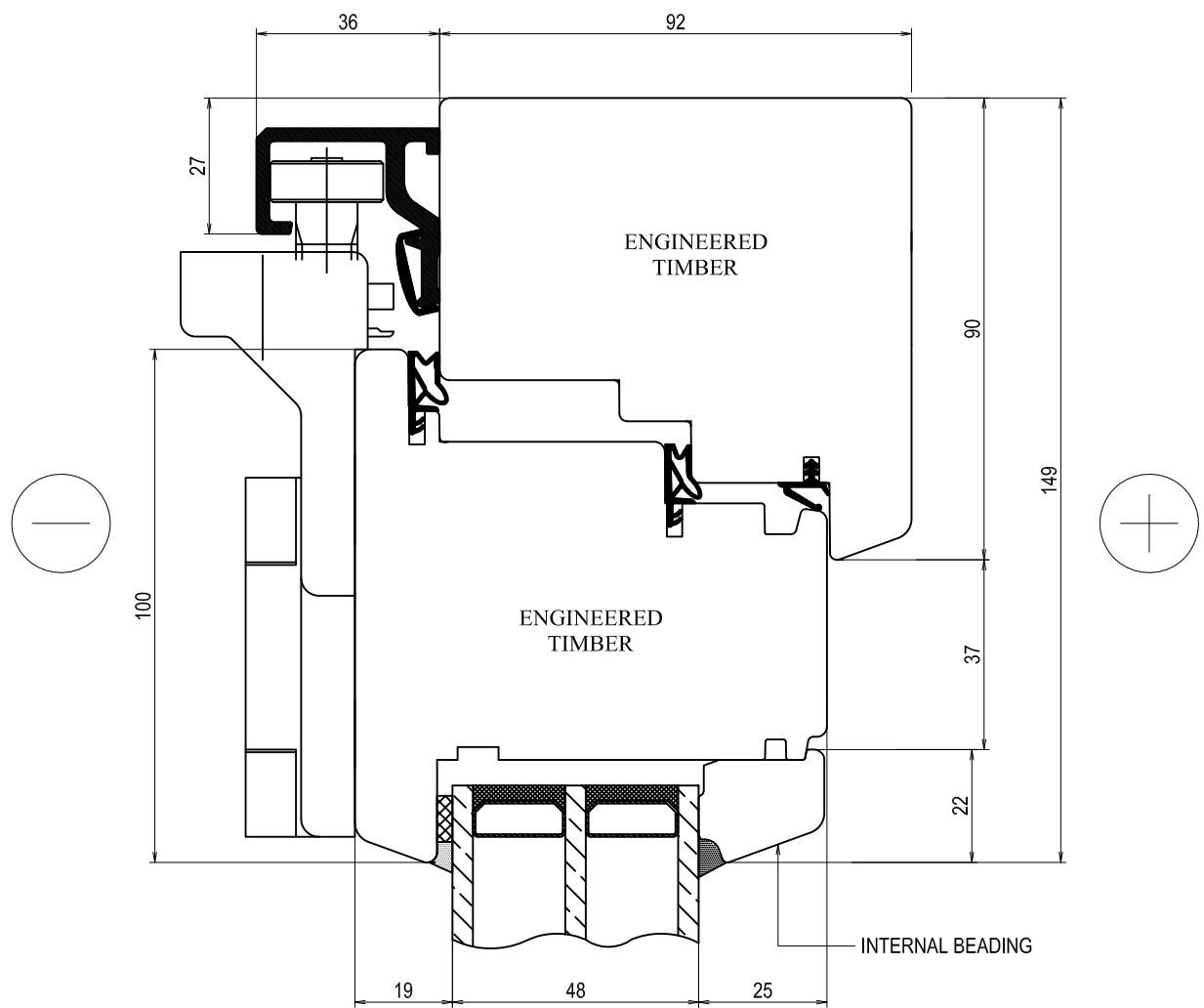
Yate Business Campus
10 North Road
Yate
Bristol
BS37 7PA
Tel 014 5452 8353
Fax 014 5452 8353
Email info@rawington.com

SYSTEM

92 EURO
BI-FOLD DOORS

DRAWING TITLE
OPEN OUT BI-FOLD DOOR
HEAD DETAIL
WITH TOP SUPPORTING TRACK

DRAWN R.P.	CHECKED A.P.	DATE	SCALE 1-1
JOB NUMBER N/A	DRAWING NUMBER 004	REVISION	



SUPPORTING TRACK

Rawington Ltd
WOOD-ALUMINIUM WINDOWS

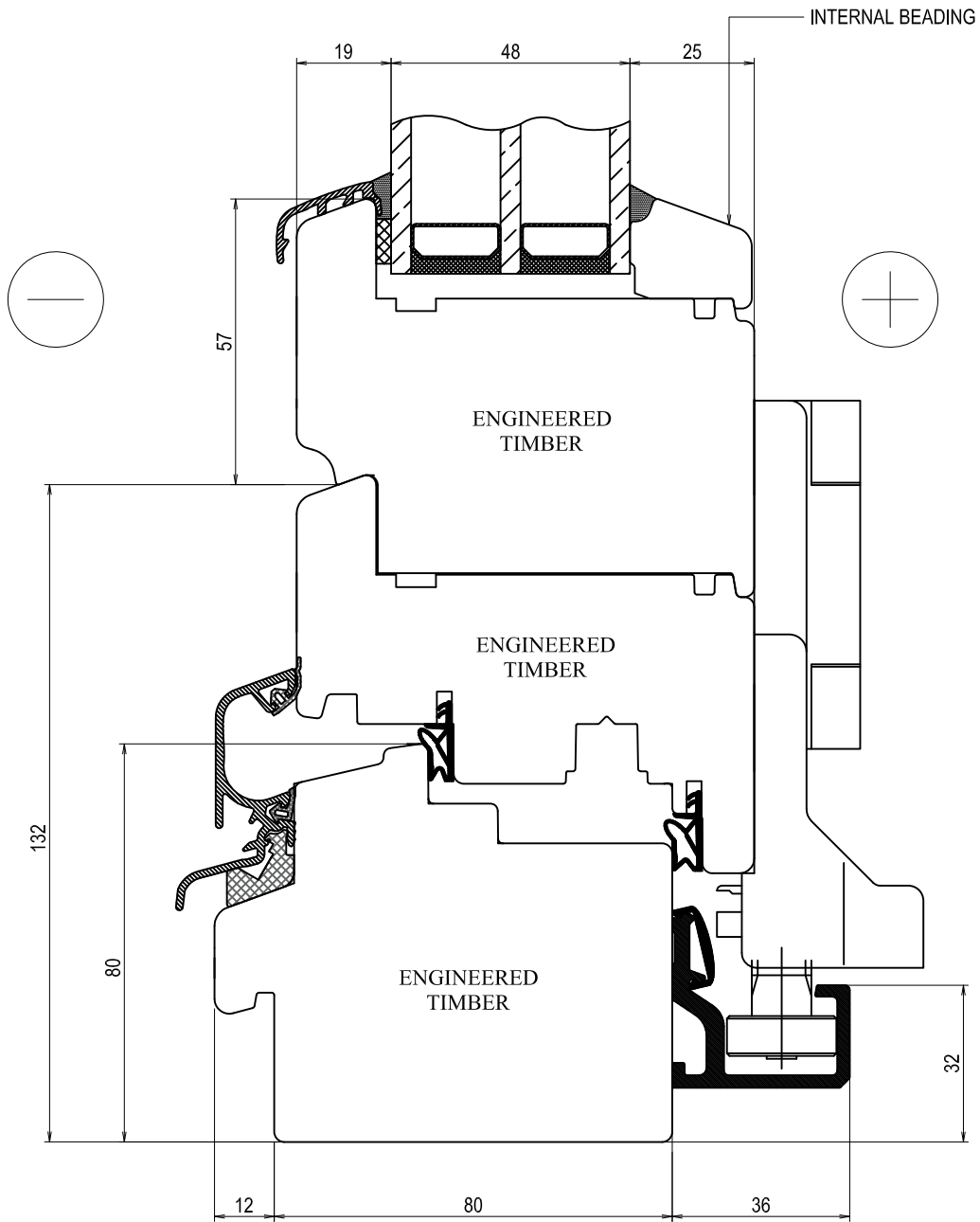
Yate Business Campus
10 North Road
Yate
Bristol
BS37 7PA
Tel 014 5452 8353
Fax 014 5452 8353
Email info@rawington.com

SYSTEM

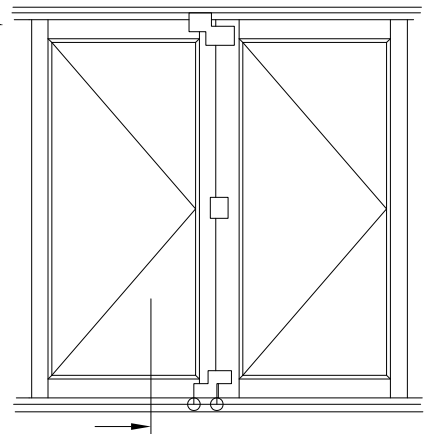
92 EURO
BI-FOLD DOORS

DRAWING TITLE
OPEN OUT BI-FOLD DOOR
HEAD DETAIL
WITH BOTTOM SUPPORTING TRACK

DRAWN R.P.	CHECKED A.P.	DATE	SCALE 1-1
JOB NUMBER N/A	DRAWING NUMBER 005	REVISION	



SUPPORTING TRACK



Rawington Ltd
WOOD-ALUMINIUM WINDOWS

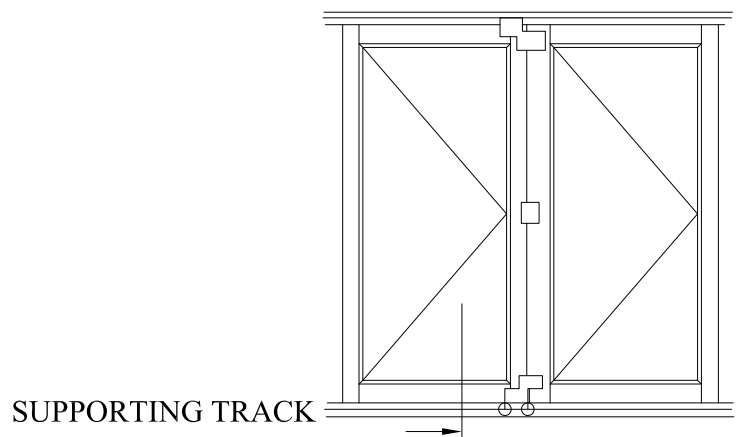
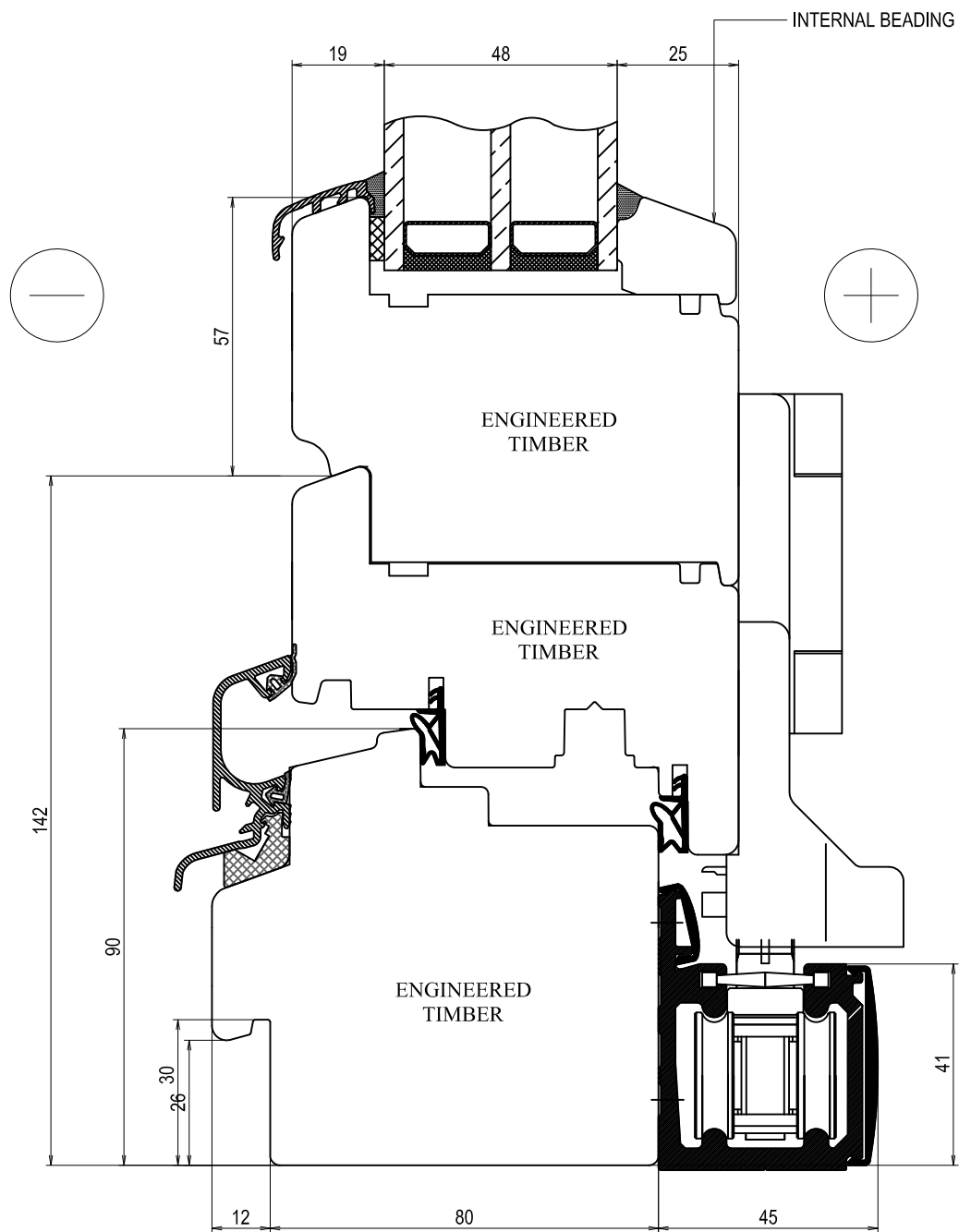
Yate Business Campus
10 North Road
Yate
Bristol
BS37 7PA
Tel 014 5452 8353
Fax 014 5452 8353
Email info@rawington.com

SYSTEM

92 EURO
BI-FOLD DOORS

DRAWING TITLE
OPEN IN BI-FOLD DOOR
CILL DETAIL
WITH TOP SUPPORTING TRACK

DRAWN R.P.	CHECKED A.P.	DATE	SCALE 1-1
JOB NUMBER N/A	DRAWING NUMBER 006	REVISION	



Rawington Ltd
WOOD-ALUMINIUM WINDOWS

Yate Business Campus
10 North Road
Yate
Bristol
BS37 7PA
Tel 014 5452 8353
Fax 014 5452 8353
Email info@rawington.com

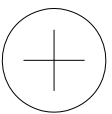
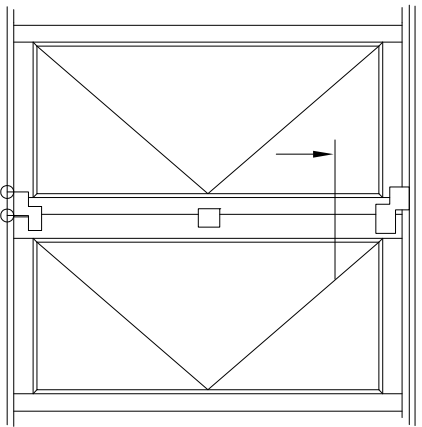
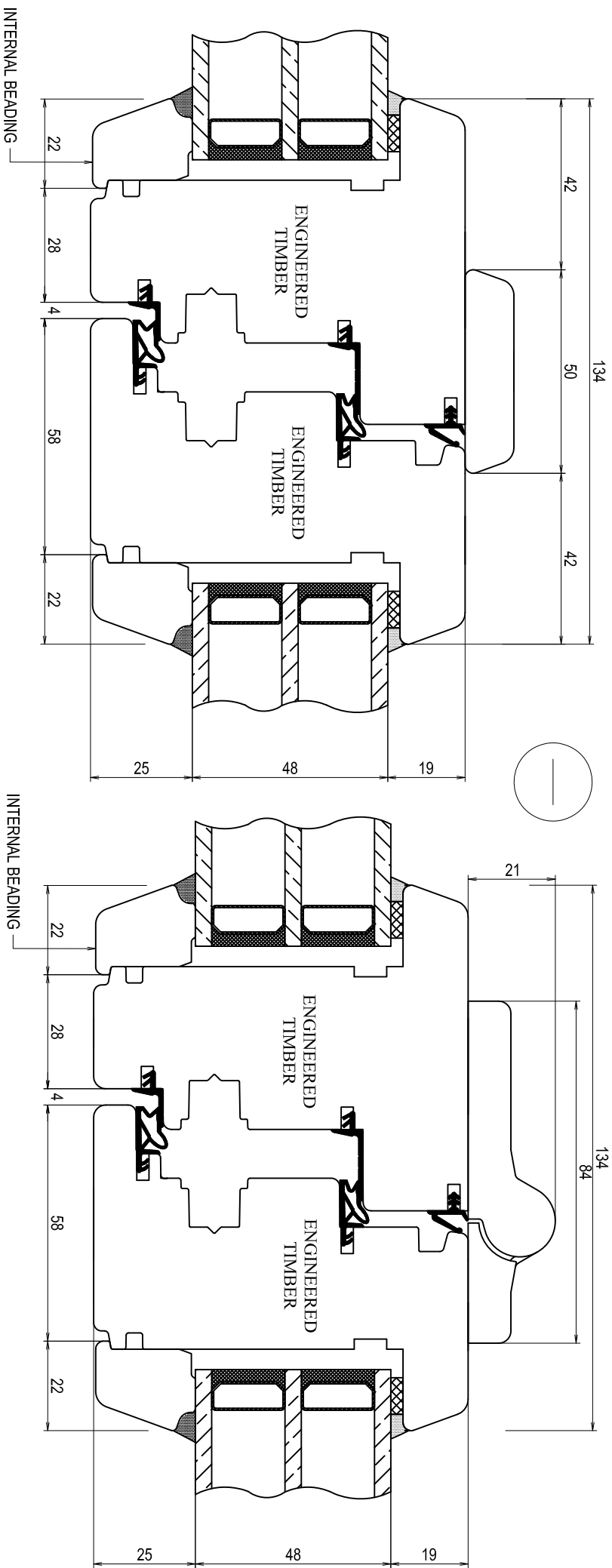
SYSTEM

92 EURO
BI-FOLD DOORS

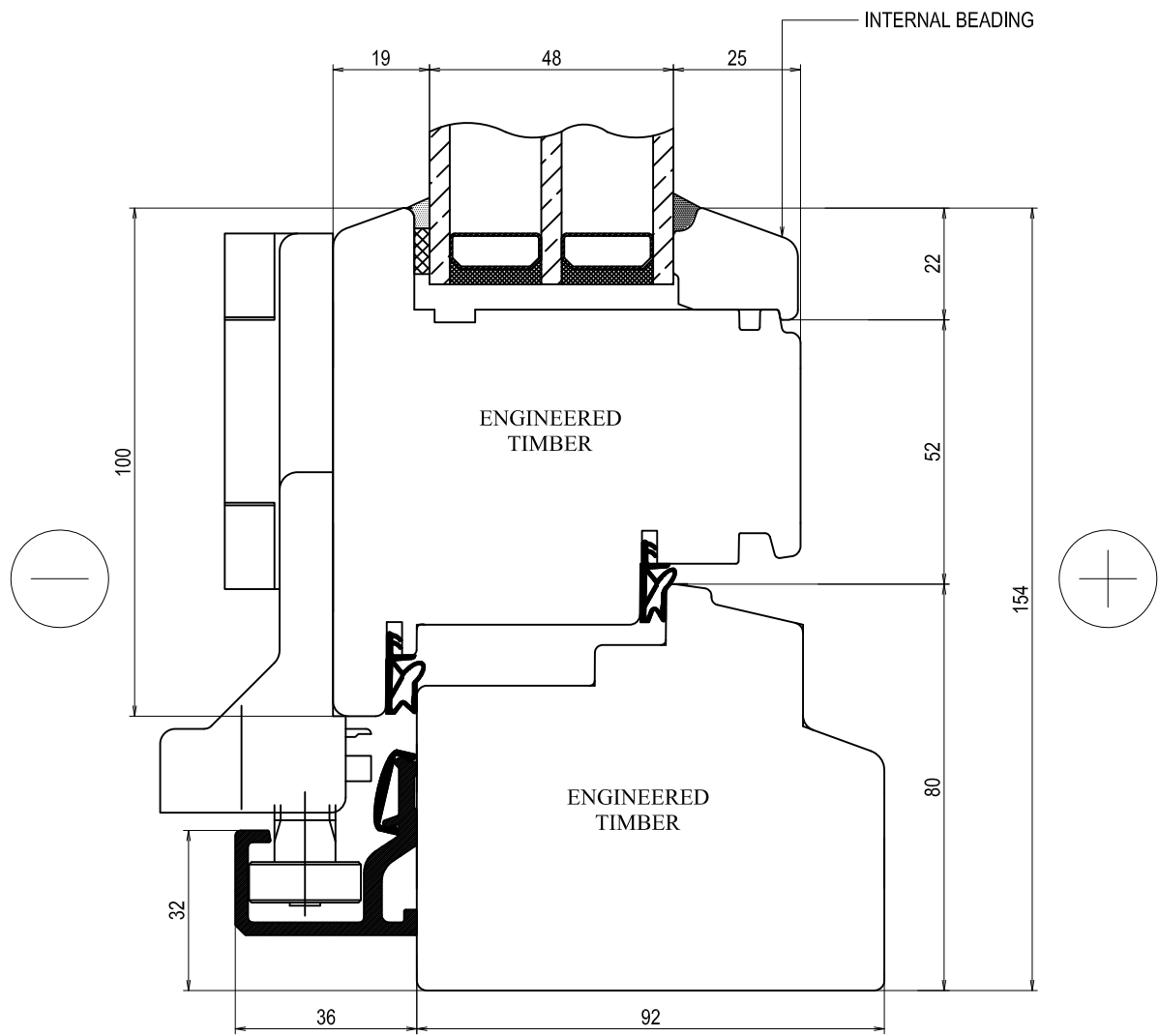
DRAWING TITLE

OPEN IN BI-FOLD DOOR
HEAD DETAIL
WITH BOTTOM SUPPORTING TRACK

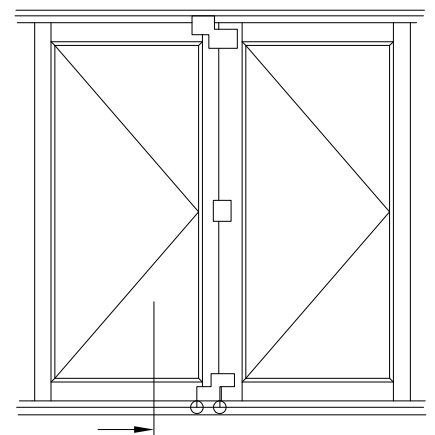
DRAWN	CHECKED	DATE	SCALE
R.P.	A.P.		1-1
JOB NUMBER	DRAWING NUMBER	REVISION	
N/A	007		



<p>Rawington Ltd WOOD-ALUMINIUM WINDOWS</p>		<p>Yale Business Campus 10 North Road Yale Bristol BS37 7PA Tel 014 5452 8353 Fax 014 5452 8353 Email info@rawington.com</p>	
<p>SYSTEM</p>		<p>92 EURO BI-FOLD DOORS</p>	
<p>DRAWING TITLE</p>		<p>OPEN IN BI-FOLD DOOR SASH CENTRAL DETAIL WITH BOTTOM SUPPORTING TRACK</p>	
<p>DRAWN</p>	<p>CHECKED</p>	<p>DATE</p>	<p>SCALE</p>
<p>R.P.</p>	<p>A.P.</p>	<p>008</p>	<p>1-1</p>
<p>JOB NUMBER</p>	<p>DRAWING NUMBER</p>	<p>REVISION</p>	
<p>N/A</p>	<p>008</p>		



SUPPORTING TRACK



Rawington Ltd
WOOD-ALUMINIUM WINDOWS

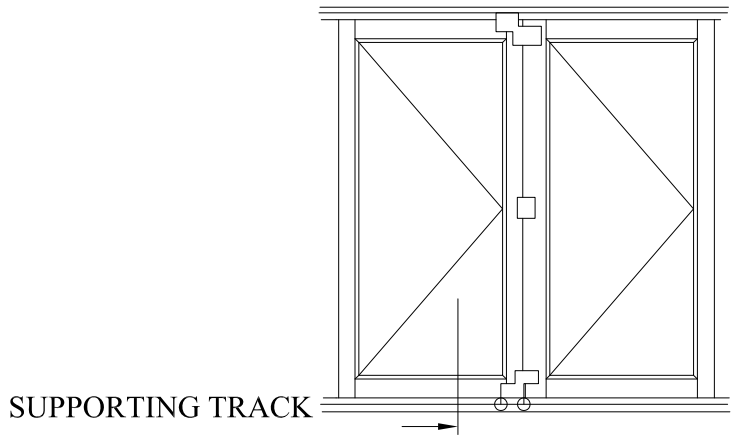
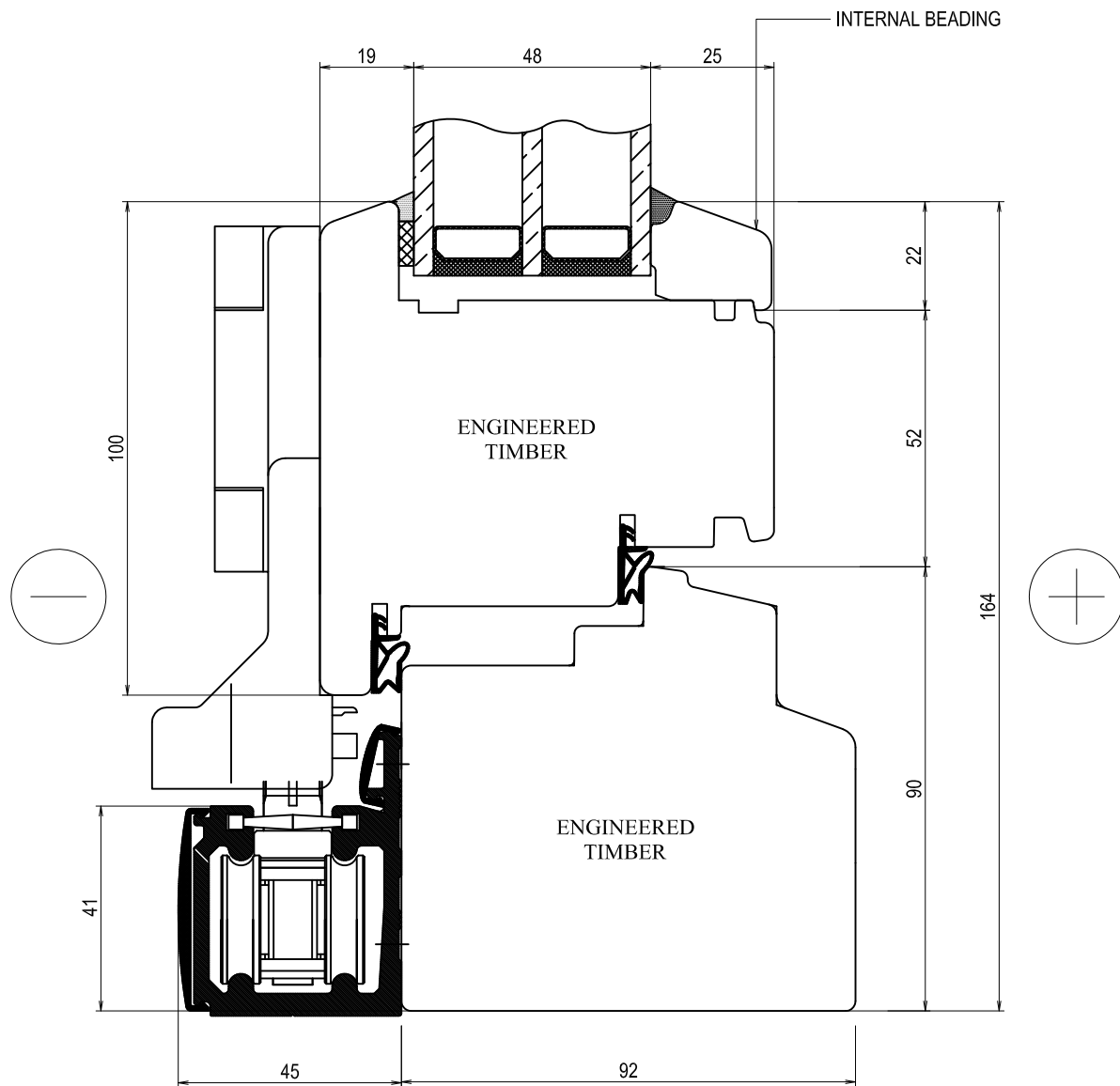
Yate Business Campus
10 North Road
Yate
Bristol
BS37 7PA
Tel 014 5452 8353
Fax 014 5452 8353
Email info@rawington.com

SYSTEM

92 EURO
BI-FOLD DOORS

DRAWING TITLE
OPEN OUT BI-FOLD DOOR
CILL DETAIL
WITH TOP SUPPORTING TRACK

DRAWN R.P.	CHECKED A.P.	DATE	SCALE 1-1
JOB NUMBER N/A	DRAWING NUMBER 009	REVISION	



Rawington Ltd
WOOD-ALUMINIUM WINDOWS

Yate Business Campus
10 North Road
Yate
Bristol
BS37 7PA
Tel 014 5452 8353
Fax 014 5452 8353
Email info@rawington.com

SYSTEM
**92 EURO
BI-FOLD DOORS**

DRAWING TITLE
**OPEN OUT BI-FOLD DOOR
HEAD DETAIL
WITH BOTTOM SUPPORTING TRACK**

DRAWN R.P.	CHECKED A.P.	DATE	SCALE 1-1
JOB NUMBER N/A	DRAWING NUMBER 010	REVISION	